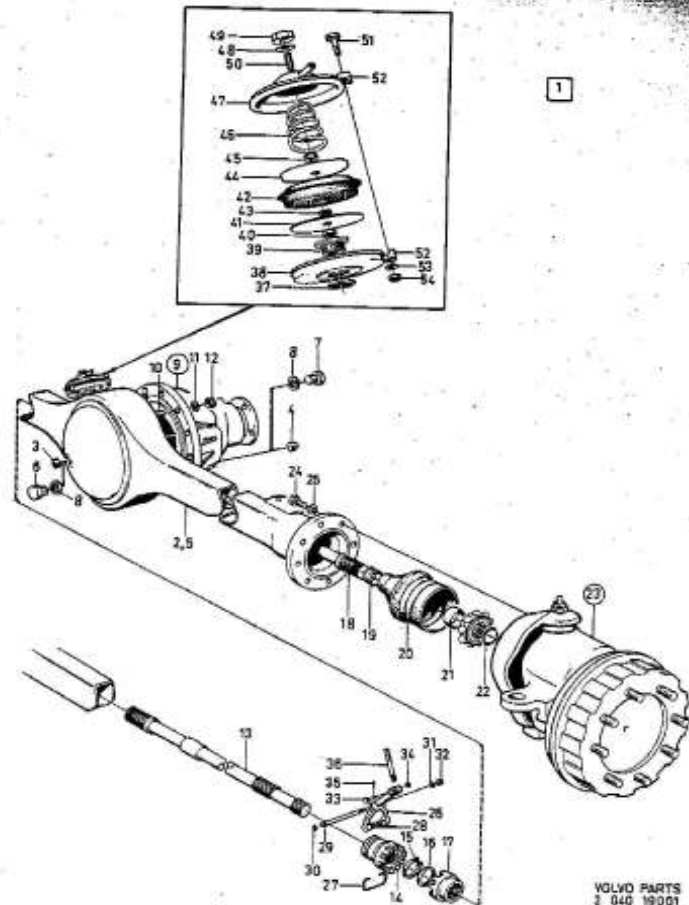


Volvo C3 Series

27/01/2004 16:15 +46-8-7079510

ALTYCO PARTS AB

SIDA 04



VOLVO PARTS
2 640 15001

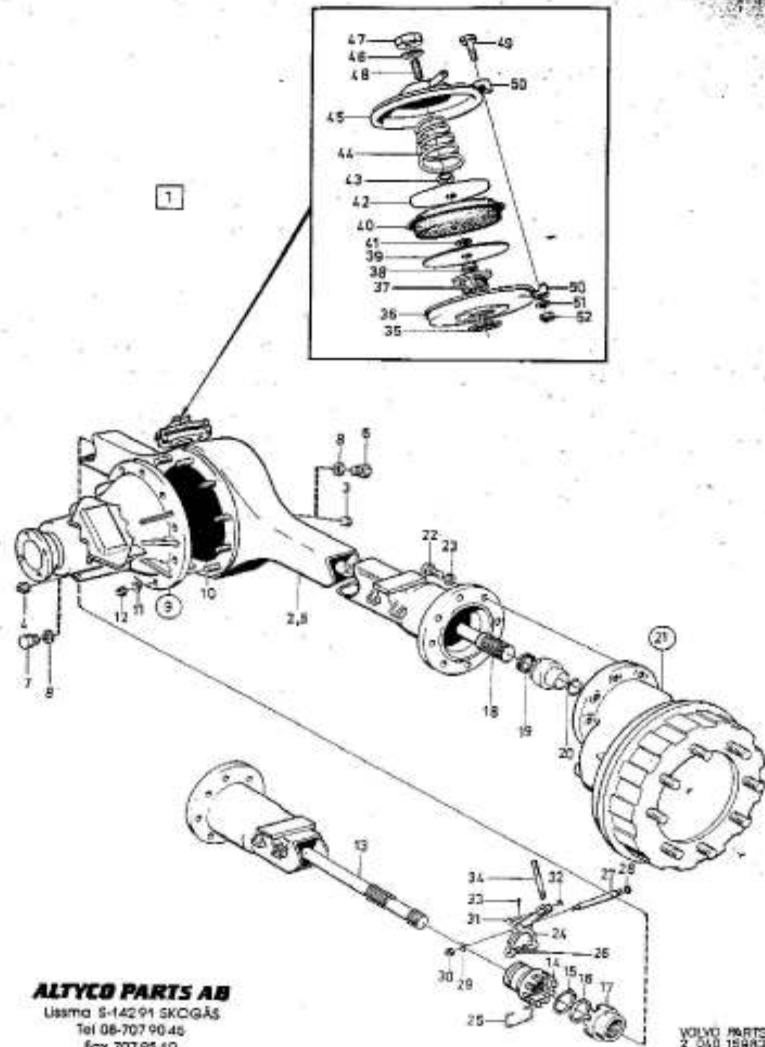
ALTYCO PARTS AB

Usma 5-141 91 HEDDINGE
Tel 08-707 9045
Fax 08-707 9510

ALTYCO PARTS

| Driven Front Axle Utv 6.00/1. 7.10/1 7.56/1(TGB20) | | | | | | | | |
|--|-----------|----|---------------------|---------|---------|---------|----------------------|--|
| Pos. | Part.no | PS | Quantity | | | | Description | Notes |
| | | | 644756 | 1520000 | 1520340 | 1520508 | | |
| 1 | (644756) | SP | 1 | | | | Front Axle | 1) RHD HJB23000 Repl 1 PCS 1520431 |
| | (1520000) | SP | | 1 | | | Front Axle | 2) Utv 7.10/1 4x4 RHD 6x6 HJB2530 Alter 1 Repl 1 Pcs 1520430 |
| | (1520340) | SP | | | 1 | | Front Axle | 3) Utv 7.10/1 6x6 Alter 2 Repl 1 PCS 1520430 |
| | 1520431 | | 1 | | | | Front Axle | Utv 6.00/1 |
| | 1520430 | | | 1 | 1 | | Front Axle | Utv 7.10 incl spcl S3758, S3780, S3781, S3761 |
| | 1520508 | | | | | 1 | Front Axle | Utv 7.56/1 |
| 2 | | NS | 1 | 1 | | | Front Axle Casing | Alter 1 Repl Alter 2 |
| | (643270) | | 1 | 1 | | | Front Axle Casing | 4) |
| | 1522469 | | | | | 1 | Front Axle Casing | |
| 3 | 952358 | | 1 | 1 | | 1 | Plug | 1/2"x14 |
| 4 | 951901 | | 1 | 1 | | 1 | Plug | 1/2"x14 |
| 5 | | NS | | | | | Front Axle Casing | Alter 2 |
| 6 | 960634 | | 1 | 1 | 1 | | Plug | M22x1,5 |
| 7 | 947585 | | 1 | 1 | 1 | | Plug | M22x1,5 |
| 8 | 18677 | | 2 | 2 | 2 | | Gasket | |
| 9 | (644703) | SP | 1 | | | | Final Drive | Utv 2.91/1 Repl 1-1562048 |
| | (642736) | SP | | 1 | 1 | | Final Drive | Utv 3.44/1 Repl 1-1562047 |
| | | | See Final Drive 315 | | | | | |
| | 1562048 | | 1 | | | | Differential Carrier | 5) Utv 2,91/1 |
| | 1562047 | | | 1 | 1 | | Differential Carrier | 5) Utv 3,44/1 |
| | 1522994 | | | | | 1 | Differential Carrier | Utv 3.67/1 |
| | | | See Final Drive 317 | | | | | |
| 10 | 643737 | | 12 | 12 | 12 | 12 | Screw | |
| 11 | 961170 | | 12 | 12 | 12 | 12 | Washer | |
| 12 | 950354 | | 12 | 12 | 12 | 12 | Lock Nut | |
| 13 | 644069 | | 1 | 1 | 1 | 1 | Drive Shaft RH | |
| 14 | 643883 | | 1 | 1 | 1 | 1 | Companion Flange | |
| 15 | 944100 | | 1 | 1 | 1 | 1 | Retaining Ring | |
| 16 | 944101 | | 1 | 1 | 1 | 1 | Washer | |
| 17 | 643964 | | 1 | 1 | 1 | 1 | Dog Clutch | |
| 18 | 644070 | | 1 | 1 | 1 | 1 | Drive Shaft LH | |
| 19 | 639261 | | 2 | 2 | 2 | 2 | Bushing | |
| 20 | 1563012 | | 2 | 2 | 2 | 2 | Cover | |
| 21 | 634581 | | 2 | 2 | 2 | 2 | Thrust Washer | |
| 22 | 947614 | | 2 | 2 | 2 | 2 | Retaining Ring | |

| | | | | | | | | |
|---|----------|----|----|----|----|----|---------------|----------------|
| 23 | (642408) | SP | 1 | 1 | | | Wheel Gear | Repl 1-1522922 |
| | (642409) | SP | 1 | 1 | | | Wheel Gear | Repl 1-1522023 |
| | 1522922 | | 1 | 1 | 1 | 1 | Wheel Gear LH | |
| | 1522923 | | 1 | 1 | 1 | 1 | Wheel Gear RH | |
| See Wheel gear 323 | | | | | | | | |
| 24 | 955561 | | 16 | 16 | 16 | 16 | Screw | |
| 25 | 940280 | | 16 | 16 | 16 | 16 | Spring Washer | |
| 26 | 643382 | | 1 | 1 | 1 | 1 | Selector Fork | |
| 27 | 637774 | | 1 | 1 | 1 | 1 | Lock Brace | |
| 28 | 637773 | | 2 | 2 | 2 | 2 | Pin | |
| 29 | 643381 | | 1 | 1 | 1 | 1 | Stub | |
| 30 | 955981 | | 1 | 1 | 1 | 1 | O-ring | |
| 31 | 947620 | | 1 | 1 | 1 | 1 | Gasket | (11992) |
| 32 | 950353 | | 1 | 1 | 1 | 1 | Lock Nut | |
| 33 | 913103 | | 1 | 1 | 1 | 1 | Clevis Pin | |
| 34 | 940090 | | 1 | 1 | 1 | 1 | Washer | |
| 35 | 907824 | | 1 | 1 | 1 | 1 | Split Pin | |
| 36 | 643380 | | 1 | 1 | 1 | 1 | Pull Rod | |
| 37 | 18677 | | 1 | 1 | 1 | 1 | Gasket | |
| 38 | 639987 | | 1 | 1 | 1 | 1 | Cylinder | |
| 39 | 643379 | | 1 | 1 | 1 | 1 | Nut | |
| 40 | 955846 | | 1 | 1 | 1 | 1 | Nut | |
| 41 | 639989 | | 1 | 1 | 1 | 1 | Washer | |
| 42 | 639991 | | 1 | 1 | 1 | 1 | Diaphragm | |
| 43 | 947620 | | 1 | 1 | 1 | 1 | Gasket | (942383) |
| 44 | 639990 | | 1 | 1 | 1 | 1 | Cover | |
| 45 | 950372 | | 1 | 1 | 1 | 1 | Nut | |
| 46 | 637759 | | 1 | 1 | 1 | 1 | Spring | |
| 47 | 640312 | | 1 | 1 | 1 | 1 | Cap | |
| 48 | 957173 | | 1 | 1 | 1 | 1 | Gasket | |
| 49 | 955791 | | 1 | 1 | 1 | 1 | Nut | |
| 50 | 962947 | | 1 | 1 | 1 | 1 | Set Screw | |
| 51 | 955640 | | 3 | 3 | 3 | 3 | Screw | |
| 52 | 640075 | | 6 | 6 | 6 | 6 | Clamp | |
| 53 | 955893 | | 3 | 3 | 3 | 3 | Washer | |
| 54 | 950382 | | 3 | 3 | 3 | 3 | Nut | |
| 1) For Civilian use 2) Wheel brake cylinder 1 1/8" 3) Wheel brake cylinder 1" 4) Repl. 1-1522469, 1-960634, 1-947585, 1-18677 5) Spare parts production | | | | | | | | |



ALTYCO PARTS AB
Usma S-142 91 SKOGÅS
Tel 08-707 90 40
Fax 707 95 10

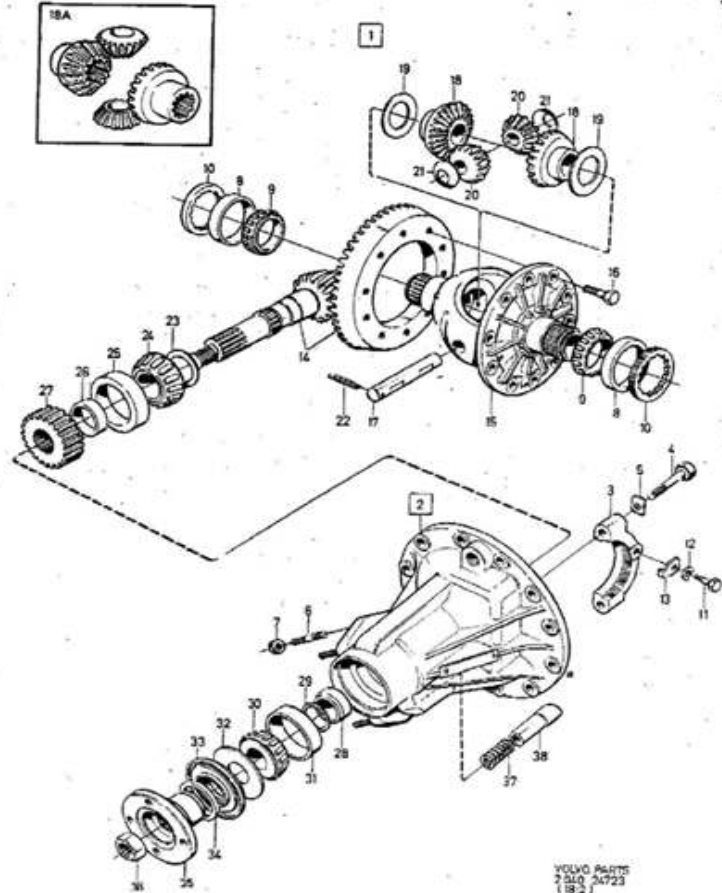
VOLVO PARTS
2 040 19987

Esso-Add-on

| | | | | | | | | |
|----|-----------|----|----|----|----|----|----------------|----------------|
| 20 | 947614 | | 2 | 2 | 2 | 2 | Retaining Ring | |
| 21 | (642410) | SP | 1 | 1 | 1 | | Wheel Gear LH | Repl 1-1522924 |
| | (642411) | SP | 1 | 1 | 1 | | Wheel Gear | Repl 1-1522925 |
| | (1522277) | SP | | | | 1 | Wheel Gear LH | Repl 1-1522924 |
| | (1522278) | SP | | | | 1 | Wheel Gear RH | Repl 1-1522925 |
| | 1522924 | | 1 | 1 | 1 | 1 | Wheel Gear LH | |
| | 1522925 | | 1 | 1 | 1 | 1 | Wheel Gear RH | |
| 22 | 955561 | | 16 | 16 | 16 | 16 | Screw | |
| 23 | 940280 | | 16 | 16 | 16 | 16 | Spring Washer | |
| 24 | 643382 | | 1 | 1 | 1 | 1 | Selector Fork | |
| 25 | 637774 | | 1 | 1 | 1 | 1 | Lock Brace | |
| 26 | 677773 | | 2 | 2 | 2 | 2 | Pin | |
| 27 | 643381 | | 1 | 1 | 1 | 1 | Stub | |
| 28 | 955981 | | 1 | 1 | 1 | 1 | O-Ring | |
| 29 | 947620 | | 1 | 1 | 1 | 1 | Gasket | (11992) |
| 30 | 950353 | | 1 | 1 | 1 | 1 | Lock Nut | |
| 31 | 913103 | | 1 | 1 | 1 | 1 | Clevis Pin | |
| 32 | 940090 | | 1 | 1 | 1 | 1 | Washer | |
| 33 | 907824 | | 1 | 1 | 1 | 1 | Split Pin | |
| 34 | 643380 | | 1 | 1 | 1 | 1 | Pull Rod | |
| 35 | 18677 | | 1 | 1 | 1 | 1 | Gasket | |
| 36 | 639987 | | 1 | 1 | 1 | 1 | Cylinder | |
| 37 | 643379 | | 1 | 1 | 1 | 1 | Nut | |
| 38 | 955846 | | 1 | 1 | 1 | 1 | Nut | |
| 39 | 639989 | | 1 | 1 | 1 | 1 | washer | |
| 40 | 639991 | | 1 | 1 | 1 | 1 | Diaphragm | |
| 41 | 947620 | | 1 | 1 | 1 | 1 | Gasket | |
| 42 | 639990 | | 1 | 1 | 1 | 1 | Cover | |
| 43 | 950372 | | 1 | 1 | 1 | 1 | Nut | |
| 44 | 637759 | | 1 | 1 | 1 | 1 | Spring | |
| 45 | 640312 | | 1 | 1 | 1 | 1 | Cap | |
| 46 | 957173 | | 1 | 1 | 1 | 1 | Gasket | |
| 47 | 955791 | | 1 | 1 | 1 | 1 | Nut | |
| 48 | 962947 | | 1 | 1 | 1 | 1 | Set Screw | |
| 49 | 955640 | | 3 | 3 | 3 | 3 | Screw | |
| 50 | 640075 | | 6 | 6 | 6 | 6 | Clamp | |
| 51 | 955893 | | 3 | 3 | 3 | 3 | washer | |
| 52 | 950382 | | 3 | 3 | 3 | 3 | Nut | |

| TGB20 Rear Axle Rear | | | | | | | | |
|----------------------|---------|----|----------|----|----|----------------------|------------------|---------|
| 307 | | | Quantity | | | | | |
| Pos. | Part.no | PS | | | | Description | Notes | |
| 1 | 1520506 | | 1 | | | Rear Axle | Utv 7.56/1 | |
| 2 | 1522472 | | 1 | | | Rear Axle Casing | | |
| 6 | 960634 | | 1 | | | Plug | M22x1.5 | |
| 7 | 947585 | | 1 | | | Plug | M22x1.5 | |
| 8 | 18677 | | 2 | | | Gasket | | |
| 9 | 1522996 | SP | 1 | | | Differential Carrier | | |
| See Final Drive 319 | | | | | | | | |
| 10 | 643737 | | 12 | 12 | 12 | 12 | SCREW | |
| 11 | 961170 | | 12 | 12 | 12 | 12 | washer | |
| 12 | 950354 | | 12 | 12 | 12 | 12 | Lock Nut | |
| 13 | 643669 | | 1 | 1 | 1 | 1 | Drive Shaft RH | |
| 14 | 643883 | | 1 | 1 | 1 | 1 | Companion Flange | |
| 15 | 944100 | | 1 | 1 | 1 | 1 | Retaining Ring | |
| 16 | 944101 | | 1 | 1 | 1 | 1 | Washer | |
| 17 | 643964 | | 1 | 1 | 1 | 1 | Dog Clutch | |
| 18 | 643668 | | 1 | 1 | 1 | 1 | Drive Shaft LH | |
| 19 | 944527 | | 2 | 2 | 2 | 2 | X-Ring | |
| 20 | 947614 | | 2 | 2 | 2 | 2 | Retaining Ring | |
| 21 | 1522924 | | 1 | 1 | 1 | 1 | Wheel Gear LH | |
| | 1522925 | | 1 | 1 | 1 | 1 | Wheel Gear RH | |
| See Wheel Gear 327 | | | | | | | | |
| 22 | 955561 | | 16 | 16 | 16 | 16 | Screw | |
| 23 | 940280 | | 16 | 16 | 16 | 16 | Spring Washer | |
| 24 | 643382 | | 1 | 1 | 1 | 1 | Selector Fork | |
| 25 | 637774 | | 1 | 1 | 1 | 1 | Lock Brace | |
| 26 | 677773 | | 2 | 2 | 2 | 2 | Pin | |
| 27 | 643381 | | 1 | 1 | 1 | 1 | Stub | |
| 28 | 955981 | | 1 | 1 | 1 | 1 | O-Ring | |
| 29 | 947620 | | 1 | 1 | 1 | 1 | Gasket | (11992) |
| 30 | 950353 | | 1 | 1 | 1 | 1 | Lock Nut | |
| 31 | 913103 | | 1 | 1 | 1 | 1 | Clevis Pin | |
| 32 | 907820 | | 1 | 1 | 1 | 1 | Washer | |
| 33 | 907824 | | 1 | 1 | 1 | 1 | Split Pin | |
| 34 | 643380 | | 1 | 1 | 1 | 1 | Pull Rod | |
| 35 | 18677 | | 1 | 1 | 1 | 1 | Gasket | |
| 36 | 639987 | | 1 | 1 | 1 | 1 | Cylinder | |

| | | | | | | | | |
|----|--------|--|---|---|---|---|-----------|--|
| 37 | 643379 | | 1 | 1 | 1 | 1 | Nut | |
| 38 | 955846 | | 1 | 1 | 1 | 1 | Nut | |
| 39 | 639989 | | 1 | 1 | 1 | 1 | washer | |
| 40 | 639991 | | 1 | 1 | 1 | 1 | Diaphragm | |
| 41 | 947620 | | 1 | 1 | 1 | 1 | Gasket | |
| 42 | 639990 | | 1 | 1 | 1 | 1 | Cover | |
| 43 | 950372 | | 1 | 1 | 1 | 1 | Nut | |
| 44 | 637759 | | 1 | 1 | 1 | 1 | Spring | |
| 45 | 640312 | | 1 | 1 | 1 | 1 | Cap | |
| 46 | 957173 | | 1 | 1 | 1 | 1 | Gasket | |
| 47 | 955791 | | 1 | 1 | 1 | 1 | Nut | |
| 48 | 962947 | | 1 | 1 | 1 | 1 | Set Screw | |
| 49 | 955640 | | 3 | 3 | 3 | 3 | Screw | |
| 50 | 640075 | | 6 | 6 | 6 | 6 | Clamp | |
| 51 | 955893 | | 3 | 3 | 3 | 3 | washer | |
| 52 | 950382 | | 3 | 3 | 3 | 3 | Nut | |



ALTYCO PARTS AB
Usma 5-141 91 HUDDINGE
Tel 08-707 90 45
Fax 08-707 95 10

VOLVO PARTS
7 510 24723
1 8 2 1

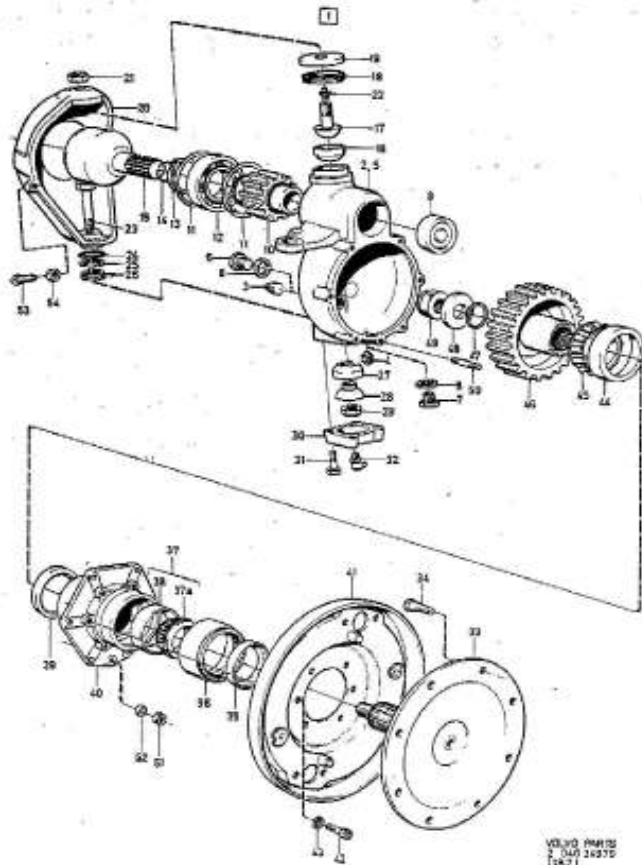
| Differential Carrier | | | | | | | | | |
|----------------------|----------|----|-----------------------|--------|--------|--------|-------------------------|----------------|--|
| 315 | | | Quantity | | | | | | |
| Pos. | Part.no | PS | 642735 | 642736 | 644702 | 644703 | Description | Notes | |
| 1 | (642735) | SP | 1 | | | | Final Drive | Utv 3.44/1 | |
| | (644736) | SP | | 1 | | | Final Drive | Utv 3.44/1 | |
| | (644702) | SP | | | 1 | | Final Drive | Utv 2.91/1 | |
| | (644703) | SP | | | | 1 | Final Drive | Utv 2.91/1 | |
| 2 | (642733) | SP | 1 | | 1 | | Gear Housing | Repl 1-1522465 | |
| | (643667) | SP | | 1 | | 1 | Gear Housing | Repl 1-1522465 | |
| | 1522465 | | 1 | 1 | 1 | 1 | Gear Housing | | |
| 3 | | NS | 2 | 2 | 2 | 2 | Cap | | |
| 4 | 960719 | | 4 | 4 | 4 | 4 | Screw | | |
| 5 | 15007 | | 4 | 4 | 4 | 4 | Lock Washer | | |
| 6 | 953259 | | 6 | | 6 | | Stud | | |
| 7 | 950354 | | 6 | | 6 | | Lock Nut | | |
| 8 | 183481 | | 2 | 2 | 2 | 2 | Cup | | |
| 9 | 183482 | | 2 | 2 | 2 | 2 | Cone | | |
| 10 | 640246 | | 2 | 2 | 2 | 2 | Bearing Adjuster | | |
| 11 | 955512 | | 2 | 2 | 2 | 2 | Screw | | |
| 12 | 941906 | | 2 | 2 | 2 | 2 | Spring Washer | | |
| 13 | 640247 | | 2 | 2 | 2 | 2 | Striker Plate | | |
| 14 | 644105 | | 1 | | | | Crown Wheel/pinion | | |
| | 643670 | | | 1 | | | Crown Wheel/pinion | | |
| | 644686 | | | | 1 | | Crown Wheel/pinion | | |
| | 644700 | | | | | 1 | Crown Wheel/pinion | | |
| 15 | 640244 | | 1 | 1 | 1 | 1 | Differential Housing | | |
| 16 | 102728 | | 10 | 10 | 10 | 10 | Screw | | |
| 17 | 384201 | | 1 | 1 | 1 | 1 | Spindle | | |
| 18 | | KN | 2 | 2 | 2 | 2 | Drive Gear | | |
| 18a | 273224 | | 1 | 1 | 1 | 1 | Differential pinion set | | |
| 19 | | NS | X | | | | Thrust Washer | | |
| | | | See Thrust Washer 317 | | | | | | |
| 20 | | KN | 2 | 2 | 2 | 2 | Drive Gear | | |
| 21 | 384209 | | 2 | 2 | 2 | 2 | Thrust Washer | | |
| 22 | 951981 | | 1 | 1 | 1 | 1 | Spring Pin | | |
| 23 | 84218 | | X | X | X | X | Spacer | THK 0.35 | |
| | 84219 | | X | X | X | X | Spacer | THK 0.10 | |
| 24 | 181303 | | 1 | 1 | 1 | 1 | Cone | | |
| 25 | 181304 | | 1 | 1 | 1 | 1 | Cup | | |

| | | | | | | | | |
|----|--------|----|---|---|---|---|------------------|----------|
| | | | | | | | | |
| 26 | 638199 | | 1 | | 1 | | Spacer Sleeve | |
| 27 | 644104 | | 1 | | 1 | | Gear | |
| 28 | 644111 | | 1 | | 1 | | Spacer Sleeve | |
| | 644110 | | | 1 | | 1 | Spacer Sleeve | |
| 29 | 191834 | X | X | X | X | | Shim | THK 0.08 |
| | 191835 | X | X | X | X | | Shim | THK 0.13 |
| | 191837 | X | X | X | X | | Shim | THK 0.25 |
| | 191836 | X | X | X | X | | Shim | THK 0.75 |
| 30 | 181301 | | 1 | 1 | 1 | 1 | Cone | |
| 31 | 181302 | | 1 | 1 | 1 | 1 | Cup | |
| 32 | 80506 | | 1 | 1 | 1 | 1 | Sealing Washer | |
| 33 | 942905 | | 1 | 1 | 1 | 1 | Seal | |
| 34 | 81388 | | 1 | 1 | 1 | 1 | Dust Cover | |
| 35 | 384720 | | 1 | 1 | 1 | 1 | Companion Flange | |
| 36 | 946831 | | 1 | 1 | 1 | 1 | Nut | |
| 37 | 640248 | | 1 | 1 | 1 | 1 | Spring | |
| 38 | | NS | 1 | 1 | | | Blade | |
| | 644714 | | | | 1 | 1 | Scraper | |

| 317 Differential Carrier | | | | | | |
|--------------------------|---------|----|----------|---------|-------------------------|------------|
| Pos. | Part.no | PS | Quantity | | Description | Notes |
| | | | 1562047 | 1562048 | | |
| 1 | 1562047 | | 1 | | Final Drive | Utv 3.44/1 |
| | 1562048 | SP | | 1 | Final Drive | Utv 2.91/1 |
| 2 | 1522465 | | 1 | 1 | Gear Housing | |
| 3 | | NS | 2 | 2 | Cap | |
| 4 | 960719 | | 4 | 4 | Screw | |
| 5 | 15007 | | 4 | 4 | Lock Washer | |
| | 640241 | | 1 | 1 | Cover | |
| | 640242 | | 1 | 1 | Gasket | |
| 6 | 953259 | | 6 | 6 | Stud | |
| 7 | 950354 | | 6 | | Lock Nut | |
| 8 | 183481 | | 2 | 2 | Cup | |
| 9 | 183482 | | 2 | 2 | Cone | |
| 10 | 640246 | | 2 | 2 | Bearing Adjuster | |
| 11 | 955512 | | 2 | 2 | Screw | |
| 12 | 941906 | | 2 | 2 | Spring Washer | |
| 13 | 640247 | | 2 | 2 | Striker Plate | |
| 14 | 644105 | | 1 | | Crown Wheel/pinion | |
| | 644686 | | | 1 | Crown Wheel/pinion | |
| 15 | 640244 | | 1 | 1 | Differential Housing | |
| 16 | 102728 | | 10 | 10 | Screw | |
| 17 | 384201 | | 1 | 1 | Spindle | |
| 18 | | KN | 2 | 2 | Drive Gear | |
| | 383171 | | X | X | Adjusting Washer | THK 0.74 |
| | 383172 | | X | X | Adjusting Washer | THK 0.76 |
| | 383173 | OP | X | X | Thrust Washer | THK 0.78 |
| | 383174 | | X | X | Adjusting Washer | THK 0.80 |
| | 383175 | | X | X | Adjusting Washer | THK 0.82 |
| | 383176 | | X | X | Adjusting Washer | THK 0.84 |
| | 383177 | | X | X | Adjusting Washer | THK 0.86 |
| | 383178 | | X | X | Adjusting Washer | THK 0.88 |
| | 383179 | | X | X | Adjusting Washer | THK 0.90 |
| | 383180 | | X | X | Adjusting Washer | THK 0.92 |
| | 383181 | OP | X | X | Thrust Washer | THK 0.94 |
| | 383182 | | X | X | Adjusting Washer | THK 0.96 |
| | | NS | X | X | Thrust Washer | THK 0.98 |
| 18a | 273224 | | 1 | 1 | Differential pinion set | |

| | | | | | | | | |
|----|-----------------------|----|---|---|---|--|------------------|----------|
| 19 | | NS | X | | | | Thrust Washer | |
| | See Thrust Washer 317 | | | | | | | |
| 20 | | KN | | 2 | 2 | | Drive Gear | |
| 21 | 384209 | | | 2 | 2 | | Thrust Washer | |
| 22 | 951981 | | | 1 | 1 | | Spring Pin | |
| 23 | 84218 | | X | X | | | Spacer | THK 0.35 |
| | 84219 | | X | X | | | Spacer | THK 0.10 |
| 24 | 181303 | | | 1 | 1 | | Cone | |
| 25 | 181304 | | | 1 | 1 | | Cup | |
| 26 | 638199 | | | 1 | | | Spacer Sleeve | |
| 27 | 644104 | | | 1 | | | Gear | |
| 28 | 644111 | | | 1 | | | Spacer Sleeve | |
| | 644110 | | | | 1 | | Spacer Sleeve | |
| 29 | 191834 | | X | X | | | Shim | THK 0.08 |
| | 191835 | | X | X | | | Shim | THK 0.13 |
| | 191837 | | X | X | | | Shim | THK 0.25 |
| | 191836 | | X | X | | | Shim | THK 0.75 |
| 30 | 181301 | | | 1 | 1 | | Cone | |
| 31 | 181302 | | | 1 | 1 | | Cup | |
| 32 | 80506 | | | 1 | 1 | | Sealing Washer | |
| 33 | 942905 | | | 1 | 1 | | Seal | |
| 34 | 81388 | | | 1 | 1 | | Dust Cover | |
| 35 | 384720 | | | 1 | 1 | | Companion Flange | |
| 36 | 946831 | | | 1 | 1 | | Nut | |
| 37 | 640248 | | | 1 | 1 | | Spring | |
| 38 | | NS | | 1 | 1 | | Blade | |
| | 644714 | | | | | | Scraper | |

| Differential Carrier TGB 20 | | | | | | | |
|-----------------------------|---------|----|----------|---------|---------|----------------------|------------|
| 319 | | | Quantity | | | | |
| Pos. | Part.no | PS | 1522994 | 1522995 | 1522996 | Description | Notes |
| 1 | 1522994 | | 1 | | | Final Drive | Utv 3.67/1 |
| | 1522995 | | | 1 | | Final Drive | Utv 3.67/1 |
| | 1522996 | | | | 1 | Final Drive | Utv 3.67/1 |
| 2 | 1522465 | | 1 | 1 | 1 | Gear Housing | |
| 3 | | NS | 2 | 2 | 2 | Cap | |
| 4 | 960719 | | 4 | 4 | 4 | Screw | |
| 5 | 15007 | | 4 | 4 | 4 | Lock Washer | |
| | 640241 | | | | | Cover | |
| | 640242 | | | | | Gasket | |
| 6 | 953259 | | | 6 | | Stud | |
| 7 | 950354 | | | 6 | | Lock Nut | |
| 8 | 183481 | | 2 | 2 | 2 | Cup | |
| 9 | 183482 | | 2 | 2 | 2 | Cone | |
| 10 | 640246 | | 2 | 2 | 2 | Bearing Adjuster | |
| 11 | 955512 | | 2 | 2 | 2 | Screw | |
| 12 | 941906 | | 2 | 2 | 2 | Spring Washer | |
| 13 | 640247 | | 2 | 2 | 2 | Striker Plate | |
| 14 | 1522991 | | 1 | | 1 | Crown Wheel/pinion | |
| | 1522997 | | | 1 | | Crown Wheel/pinion | |
| 15 | 640244 | | 1 | 1 | | Differential Housing | |
| 16 | 102728 | | 10 | 10 | | Screw | |
| | 1526556 | | | 1 | 1 | Differential Housing | COMPL |
| | 1563868 | | | 1 | 1 | Spider | |
| 17 | 384201 | | 1 | 1 | | Spindle | |
| 18 | | KN | 2 | 2 | | Drive Gear | |
| | 383171 | | X | X | | Adjusting Washer | THK 0.74 |
| | 383172 | | X | X | | Adjusting Washer | THK 0.76 |
| | 383173 | OP | X | X | | Thrust Washer | THK 0.78 |
| | 383174 | | X | X | | Adjusting Washer | THK 0.80 |
| | 383175 | | X | X | | Adjusting Washer | THK 0.82 |
| | 383176 | | X | X | | Adjusting Washer | THK 0.84 |
| | 383177 | | X | X | | Adjusting Washer | THK 0.86 |
| | 383178 | | X | X | | Adjusting Washer | THK 0.88 |
| | 383179 | | X | X | | Adjusting Washer | THK 0.90 |
| | 383180 | | X | X | | Adjusting Washer | THK 0.92 |
| | 383181 | OP | X | X | | Thrust Washer | THK 0.94 |



ALTYCO PARTS AB
Usama 5-14291 SKOGÅS
tel 08-707 90 45
Fax 707 95 10

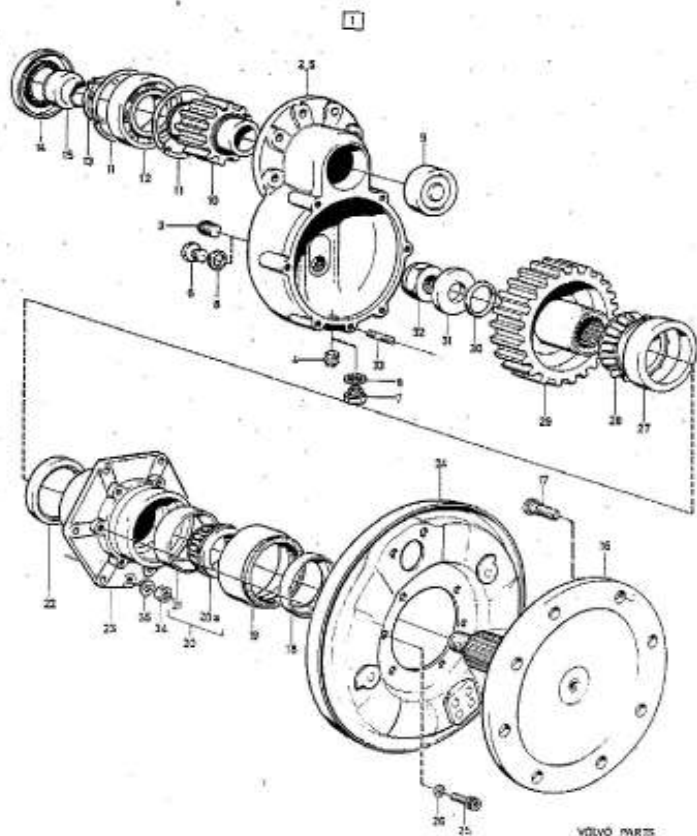
ALTYCO PARTS
F 047 14375
[82]

| Wheel Gear Front | | | | | | |
|------------------|----------|----|----------|---------|----------------------|----------|
| 323 | | | Quantity | | | |
| Pos. | Part.no | PS | 1522922 | 1522923 | Description | Notes |
| 1 | 1522922 | | 1 | | Wheel Gear LH | |
| | 1522923 | | | 1 | Wheel Gear RH | |
| 2 | | NS | 1 | 1 | Housing | Tid Utf |
| | (642342) | SP | 1 | | Wheel Gear Housing | 1) |
| | (642342) | SP | | 1 | Wheel Gear Housing | 2) |
| 3 | 952358 | | 1 | 1 | Plug | 1/2"x14 |
| 4 | 951901 | | 1 | 1 | Plug | 1/2"x14 |
| 5 | | NS | 1 | 1 | Housing | Alter 2 |
| | 1522466 | | 1 | | Wheel Gear Housing | |
| | 1522467 | | | 1 | Wheel Gear Housing | |
| 6 | 960634 | | 1 | 1 | Plug | M22x1,5 |
| 7 | 947585 | | 1 | 1 | Plug | M22x1,5 |
| 8 | 18877 | | 2 | 2 | Gasket | |
| 9 | 183637 | | 1 | 1 | Needle Bearing | |
| 10 | 642372 | | 1 | 1 | Gear | |
| 11 | 943946 | | 2 | 2 | Retaining Ring | |
| 12 | 11017 | | 1 | 1 | Ball Bearing | |
| 13 | 914472 | | 1 | 1 | Retaining Ring | |
| 14 | 947614 | | 1 | 1 | Retaining Ring | |
| 15 | 6842360 | | 1 | 1 | Rzeppa Joint | |
| 16 | 642851 | | 1 | 1 | Bearing Shell, Upper | |
| 17 | 642837 | | 1 | 1 | Guide Pin | |
| 18 | 946243 | | 1 | 1 | Sealing Ring | |
| 19 | 637835 | | 1 | 1 | Protecting Casing | |
| 20 | 1562213 | | 1 | 1 | Steering Knuckle | |
| 21 | 950388 | | 1 | 1 | Nut | |
| 22 | 951739 | | 1 | 1 | Lubricating nipple | |
| 23 | 642850 | | 1 | 1 | Guide Pin | |
| 24 | 955997 | | 1 | 1 | O-Ring | |
| 25 | 946250 | | 1 | 1 | Sealing Ring | |
| 26 | 642848 | x | x | | Shim | THK 0.50 |
| | 642846 | X | X | | Shim | THK 0.60 |
| | 642847 | X | X | | Shim | THK 0.80 |
| 27 | 642852 | | 1 | 1 | Bearing Shell, lower | |
| 28 | 642836 | | 1 | 1 | Guide Pin | |

| | | | | | | |
|-----|---------|--|---|---|--|--------------------|
| 29 | 950388 | | 1 | 1 | | Nut |
| 30 | 642838 | | 1 | 1 | | Cover |
| 31 | 940117 | | 4 | 4 | | Screw |
| 32 | 951741 | | 1 | 1 | | Lubricating nipple |
| 33 | 642369 | | 1 | 1 | | Drive Shaft |
| 34 | 642414 | | 8 | 8 | | Wheel Stud |
| 35 | 642373 | | 1 | 1 | | Wear Ring |
| 36 | 946099 | | 1 | 1 | | Sealing Ring |
| 37 | 183430 | | 1 | | | Bearing |
| 37a | 183430 | | 1 | 1 | | Bearing |
| 38 | 183430 | | 1 | 1 | | Bearing |
| 39 | 959026 | | 1 | 1 | | Sealing Ring |
| 40 | 642344 | | 1 | 1 | | Bearing Housing |
| 41 | 1560832 | | 1 | | | Backing Plate |
| | 1562833 | | | 1 | | Backing Plate |
| 42 | 1523025 | | 6 | 6 | | Screw |
| 43 | 940097 | | 6 | 6 | | Washer |
| 44 | 183505 | | 1 | 1 | | Cup |
| 45 | 183506 | | 1 | 1 | | Cone |
| 46 | 642371 | | 1 | 1 | | Gear |
| 47 | 949658 | | 1 | 1 | | O-Ring |
| 48 | 945792 | | 1 | 1 | | Washer |
| 49 | 1523031 | | 1 | 1 | | Nut |
| 50 | 953287 | | 1 | 1 | | Stud |
| 51 | 940157 | | 7 | 7 | | Nut |
| 52 | 941909 | | 7 | 7 | | Spring Washer |
| 53 | 951615 | | 1 | 1 | | Screw |
| 54 | 955835 | | 1 | 1 | | Nut |

1) Ers av 1-1522466, 1-960634, 1-947585, 2-18677

2) Ers av 1-1522467, 1-960634, 1-947585, 2-18677

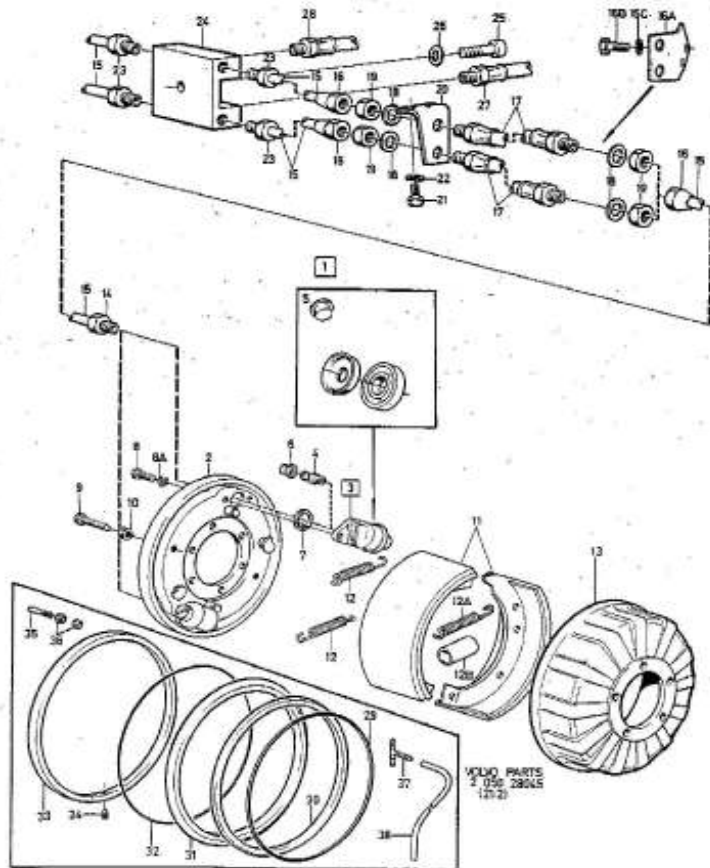


ALTYCO PARTS AB
Linnéa 5-142 91 SKOGÅS
Tel 08-707 90 45
Fax 707 95 10

VÄRÖ PARTS
7 040 34 580
(182)

| Wheel Gear Rear | | | | | | | |
|-----------------|-----------|----|----------|---------|--|--------------------|---|
| 327 | | | Quantity | | | | |
| Pos. | Part.no | PS | Alter 1 | Alter 2 | | Description | Notes |
| 1 | (642410) | SP | 1 | | | Wheel Gear LH | Repl 1-1522924 |
| | (642411) | SP | 1 | | | Wheel Gear RH | Repl 1-1522925 |
| | (1522277) | SP | 1 | | | Wheel Gear LH | Repl 1-1522924 |
| | (1522278) | SP | 1 | | | Wheel Gear RH | Repl 1-1522925 |
| | 1522924 | | | 1 | | Wheel Gear LH | |
| | 1522925 | | | 1 | | Wheel Gear RH | |
| 2 | | NS | 1 | | | Housing | |
| | (642346) | SP | 1 | | | Wheel Gear Housing | Repl 1-1522468, 1-960634, 1-947585, 2-18677 |
| 3 | 952358 | | 1 | | | Plug | 1/2" |
| 4 | 951901 | | 1 | | | Plug | 1/2" |
| 5 | | | | 1 | | Housing | |
| | 1522468 | | | 1 | | Wheel Gear Housing | |
| 6 | 960634 | | | 1 | | Plug | M22 |
| 7 | 947585 | | | 1 | | Plug | M22 |
| 8 | 18677 | | | 2 | | Gasket | |
| 9 | 183637 | | 1 | 1 | | Needle Bearing | |
| 10 | 642372 | | 1 | 1 | | Gear | |
| 11 | 943946 | | 1 | 1 | | Retaining Ring | |
| 12 | 11017 | | 1 | 1 | | Ball Bearing | |
| 13 | 914472 | | 1 | 1 | | Retaining Ring | |
| 14 | 947664 | | 1 | 1 | | Sealing Ring | |
| 15 | 1560180 | | 1 | 1 | | Support | |
| 16 | 642369 | | 1 | 1 | | Drive Shaft | |
| 17 | 642414 | | 8 | 8 | | Wheel Stud | |
| 18 | 642373 | | 1 | 1 | | Wear Ring | |
| 19 | 946099 | | 1 | 1 | | Sealing Ring | |
| 20 | 183430 | | 1 | | | Bearing | |
| 20a | (183428) | SP | 1 | 1 | | Cone | Repl 1-183430 |
| 21 | (183429) | SP | 1 | 1 | | Cup | Repl 1-183430 |
| 22 | 959026 | | 1 | 1 | | Sealing Ring | |
| 23 | 642344 | | 1 | 1 | | Bearing Housing | |
| 24 | 1560841 | | | 1 | | Backing Plate LH | |
| | 1560842 | | | 1 | | Backing Plate RH | |
| 25 | 1523025 | | 6 | 6 | | Screw | |
| 26 | 940097 | | 6 | 6 | | Washer | |
| 27 | 183505 | | 1 | 1 | | Cup | |

| | | | | | | | |
|----|---------|--|---|---|--|---------------|--|
| 28 | 183506 | | 1 | 1 | | Cone | |
| 29 | 642371 | | 1 | 1 | | Gear | |
| 30 | 949658 | | 1 | 1 | | O-ring | |
| 31 | 945792 | | 1 | 1 | | Washer | |
| 32 | 1523031 | | 1 | 1 | | Nut | |
| 33 | 953287 | | 7 | 7 | | Stud | |
| 34 | 940157 | | 7 | 7 | | Nut | |
| 35 | 941909 | | 7 | 7 | | Spring Washer | |



ALTYCO PARTS AB
Lissma 3-142 91 SKOGÅS
Tel 08-707 90 45
Fax 707 95 10

| Front Wheel Brake | | | | | | | | |
|-------------------|---------|----|----------|---------|---------|---------|-------------------|--------|
| 345 | | | Quantity | | | | | |
| Pos. | Part.no | PS | 11565832 | 1565833 | 1565834 | 1565835 | Description | Notes |
| 1 | 1565832 | NS | 1 | | | | Front Wheel Brake | |
| | 1565833 | NS | | 1 | | | Front Wheel Brake | |
| | 1565834 | NS | | | 1 | | Front Wheel Brake | 1) 6x6 |
| | 1565835 | NS | | | | 1 | Front Wheel Brake | 1) 6x6 |
| 2 | 1560832 | | 1 | | 1 | | Backing Plate | |
| | 1560833 | | | 1 | | 1 | Backing Plate | |
| 3 | 638310 | | 2 | | | | Wheel Cylinder LH | |
| | 638311 | | | 2 | | | Wheel Cylinder RH | |
| | 1566874 | | | | 2 | | Wheel Cylinder | |
| | 1566875 | | | | | 2 | Wheel Cylinder | |
| 4 | 656455 | | 1 | 1 | 1 | 1 | Bleeder Screw | |
| 5 | 272597 | | 1 | 1 | | | Repair Kit | |
| | 272686 | | | | | 1 | Repair Kit | |
| 6 | 656456 | | 1 | 1 | 1 | 1 | Rubber cap | |
| 7 | 1560836 | | 2 | 2 | 2 | 2 | Gasket | |
| 8 | 955654 | | 4 | 4 | 4 | 4 | Screw | |
| 8a | 955921 | | 4 | 4 | 4 | 4 | Spring Washer | |
| 9 | 1560839 | | 2 | 2 | 2 | 2 | Adjusting Screw | |
| 10 | 955857 | | 2 | 2 | 2 | 2 | Nut | |
| 11 | 1565837 | OP | 2 | | | 2 | Brake Shoe | |
| | 271098 | | 1 | | | 1 | Brake Shoe Kit | |
| | 1565838 | OP | | 2 | | 2 | Brake Shoe | |
| | 271099 | | | 1 | | 1 | Brake Shoe Kit | |
| 12 | 1565836 | | 2 | 2 | 2 | 2 | Return Spring | |
| 12a | 1565854 | | 2 | 2 | 2 | 2 | Return Spring | |
| 12b | 1565815 | | 2 | 2 | 2 | 2 | Bushing | |
| 13 | 642355 | | 1 | 1 | 1 | 1 | Brake Drum | |
| 14 | 943288 | | 2 | 2 | 2 | 2 | Cap nut | |
| 15 | 954313 | | x | x | x | x | Bundy Pipe | |
| 16 | 945752 | | x | x | x | x | Cap nut | |
| 16a | 641209 | | 1 | | | 1 | Bracket | |
| | 1560087 | | | 1 | | 1 | Bracket | |
| 16b | 955512 | | 2 | 2 | 2 | 2 | Screw | |
| 16c | 941906 | | 2 | 2 | 2 | 2 | Spring Washer | |
| 17 | 644171 | | 2 | 2 | 2 | 2 | Brake hose | |

| | | | | | | | |
|-------------------------|---------|---|---|---|---|----------------|----------|
| 18 | 955950 | x | x | x | x | Lock Washer | |
| 19 | 955858 | x | x | x | x | Nut | |
| 20 | 1561028 | | 1 | | 1 | Bracket | |
| | 1561029 | | | 1 | 1 | Bracket | |
| 21 | 955511 | | 1 | 1 | 1 | Screw | |
| 22 | 941906 | | 1 | 1 | 1 | Spring Washer | |
| 23 | 945753 | x | x | x | x | Cap nut | |
| 24 | 677610 | | 1 | | 1 | Manifold | |
| 25 | 950046 | | 1 | | 1 | Screw | |
| | 950047 | | 1 | | 1 | Screw | HJB 2530 |
| 26 | 941906 | | 1 | | 1 | Spring Washer | |
| 27 | 644245 | | 1 | | 1 | Brake hose | |
| 28 | 644246 | | 1 | | 1 | Brake hose | |
| 29 | 1562888 | | 1 | 1 | | Gasket | |
| 30 | 1563298 | | 1 | 1 | | Retainer | |
| 31 | 1562892 | | 1 | 1 | | Sealing Ring | |
| 32 | 1563299 | | 1 | 1 | | Retaining Ring | |
| 33 | 1562101 | | 1 | 1 | | Wear Ring | |
| 34 | 945647 | | 6 | 6 | | Set Screw | |
| 35 | 1561879 | | 1 | 1 | | Nipple | |
| 36 | 955798 | | 2 | 2 | | Nut | |
| 37 | 639056 | | 1 | 1 | | Pipe | |
| 38 | 1306703 | x | x | | | Hose | |
| 1) Swedish Armed Forces | | | | | | | |

| Rear Wheel Brake | | | | | | | |
|------------------|---------|----|----------|-----|-----|---------------------|-------|
| 347 | | | Quantity | | | | |
| Pos. | Part.no | PS | 4x4 | 4x4 | 6x6 | Description | Notes |
| 1 | 644671 | NS | 1 | | | Rear Wheel Brake LH | 1) |
| | 644672 | NS | 1 | | | Rear Wheel Brake LH | 1) |
| | 1563534 | NS | | 1 | 2 | Rear Wheel Brake | |
| | 1563535 | NS | | 1 | 2 | Rear Wheel Brake | |
| 2 | 1560841 | | 1 | 1 | 1 | Backing Plate LH | |
| | 1560842 | | 1 | 1 | 1 | Backing Plate RH | |
| 3 | 1566762 | | 1 | | | Wheel Cylinder | |
| | 1566763 | | 1 | | | Wheel Cylinder | |
| | 1566765 | | | 1 | 1 | Wheel Cylinder | |
| | 1566766 | | | 1 | 1 | Wheel Cylinder | |
| 4 | 656455 | | 1 | 1 | 1 | Bleeder Screw | |
| 5 | 656456 | | 1 | 1 | 1 | Rubber cap | |
| 6 | 272598 | | 1 | | | Repair Kit | |
| | 276573 | | | 1 | 1 | Repair Kit | |
| 7 | 1561057 | | 2 | 2 | 2 | Spring Washer | |
| 8 | 955847 | | 2 | 2 | 2 | Nut | |
| 9 | 1561144 | OP | 1 | | | Brake Shoe | |
| | 1561145 | OP | 1 | | | Brake Shoe | |
| | 1565468 | OP | | 1 | 1 | Brake Shoe | |
| | 1565469 | OP | | 1 | 1 | Brake Shoe | |
| | 271097 | | 1 | 1 | 1 | Brake Shoe Kit | |
| 10 | 1560846 | | 1 | 1 | 1 | Return Spring | |
| 11 | 1560847 | | 1 | 1 | 1 | Return Spring | |
| 12 | 642355 | | 2 | 2 | 4 | Brake Drum | |
| 13 | 87696 | | | | 2 | Three-way union | |
| 14 | 955514 | | | | 2 | Screw | |
| 15 | 941906 | | | | 2 | Spring Washer | |
| 16 | 955825 | | | | 2 | Nut | |
| 17 | 644170 | | 2 | 2 | 2 | Brake Hose | |
| 18 | 80939 | | | | 2 | Washer | |
| 19 | 955950 | | 2 | 2 | | Lock Washer | |
| 20 | 955858 | | 2 | 2 | | Nut | |
| 21 | 954313 | | x | x | x | Bundy Pipe | |
| 22 | 945752 | | x | x | | Cap Nut | |
| 23 | 945753 | | x | x | x | Cap Nut | |
| 24 | 943288 | | x | x | x | Cap Nut | |

| | | | | | | | | |
|----|---------|---|---|---|--|--|----------------|--|
| | | | | | | | | |
| 25 | 1562888 | | 1 | 1 | | | Gasket | |
| 26 | 1563298 | | 1 | 1 | | | Retainer | |
| 27 | 1562892 | | 1 | 1 | | | Sealing Ring | |
| 28 | 1563299 | | 1 | 1 | | | Retaining Ring | |
| 29 | 1562101 | | 1 | 1 | | | Wear Ring | |
| 30 | 945647 | | 6 | 6 | | | Set Screw | |
| 31 | 1561879 | | 1 | 1 | | | Nipple | |
| 32 | 955798 | | 2 | 2 | | | Nut | |
| 33 | 946066 | | 1 | 1 | | | O-Ring | |
| 34 | 925057 | | 1 | 1 | | | O-Ring | |
| 35 | 1306703 | x | | x | | | Hose | |
| 36 | 639056 | | 1 | 1 | | | Pipe | |