

# FIRE HOSE

NOTE: All Hose Normally Supplied With Couplings Attached.

## SINGLE JACKET HOSE

**FUNCTION:** Used with hump racks, reels, hangers and exterior houses for emergency fire protection in most industrial applications.

### 300 PSI/20.6 bars ACCEPTANCE TEST PRESSURE

**REGULARLY FURNISHED:** 100% synthetic jacket and lining. † FM ‡ label. Size as selected by Model Number.

Model No.	Coupling Size in. cm	Hose I.D. in. cm	Hose O.D. in. cm	Coupling
2901	1½ 3.8	1½ 3.8	1¾ 4.4	2934
2902	2½ 6.4	2½ 6.4	2 <sup>13</sup> / <sub>16</sub> 7.1	2936

**AVAILABLE:** 50'/15.2 m, 75'/22.8 m and 100'/30.4 m lengths

**SPECIFY:** Length and thread

**OPTIONS:** -U/L Label

-NJ Neoprene impregnated jacket

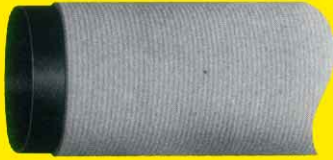
-J Polymer impregnated jacket

-N Neoprene lining

### 600 PSI/41.3 bars ACCEPTANCE TEST PRESSURE

**REGULARLY FURNISHED:** 100% synthetic jacket and synthetic rubber lining. Designed for greater resistance to many acids, alkalines and other chemicals. Used where working pressures are higher than normal † FM ‡ label. Size as selected by Model Number.

Model No.	Coupling Size in. cm	Hose I.D. in. cm	Hose O.D. in. cm	Coupling
2903	1½ 3.8	1½ 3.8	1¾ 4.4	2934
2904	1½ 3.8	1¾ 4.4	1 <sup>15</sup> / <sub>16</sub> 4.9	2942
2905	1½ 3.8	2 5	2 <sup>5</sup> / <sub>16</sub> 5.8	2942-2 <sup>5</sup> / <sub>16</sub>
2906	2½ 6.4	2½ 6.4	2 <sup>13</sup> / <sub>16</sub> 7.1	2936



**2901-2906**

## DOUBLE JACKET HOSE 800 lb./55.1 bars ACCEPTANCE TEST PRESSURE

**FUNCTION:** Used with hump racks, reels, hangers and exterior houses. Double-jacketed hose provides extra protection where abrasion and high pressure are a consideration.

**REGULARLY FURNISHED:** 100% synthetic double jacket and synthetic rubber lining. † FM ‡ label. Size as selected by Model Number.

**AVAILABLE:** 50'/15.2 m, 75'/22.8 m and 100'/30.4 m lengths

**SPECIFY:** Length and thread

**OPTIONS:** -U/L Label

**VARIATION:** -J Polymer impregnated jacket

-N Neoprene lining

Model No.	Coupling Size in. cm	Hose I.D. in. cm	Hose O.D. in. cm	Coupling
2911	1½ 3.8	1½ 3.8	1 <sup>15</sup> / <sub>16</sub> 4.9	2938
2912	1½ 3.8	1¾ 4.4	2 <sup>1</sup> / <sub>8</sub> 5.3	2942-2 <sup>1</sup> / <sub>8</sub>
2913	1½ 3.8	2 5	2 <sup>9</sup> / <sub>16</sub> 6.5	2942-2 <sup>9</sup> / <sub>16</sub>
2914	2½ 6.4	2½ 6.4	3 7.6	2937



**2911-2914**

## RACK AND REEL HOSE 500 lb./34.4 bars ACCEPTANCE TEST PRESSURE POLYFLEX

**FUNCTION:** Used with hose rack and reel assemblies. The most compact lined hose available. Replaces unlined linen hose. For interior standpipe use only.

**REGULARLY FURNISHED:** 100% synthetic jacket and extruded 100% synthetic lining. † FM ‡ label. Size as selected by Model Number.

**AVAILABLE:** 50'/15.2 m, 75'/22.8 m and 100'/30.4 m lengths

**SPECIFY:** Length and thread

**OPTION:** -U/L Label 300 PSI/20.6 bars test

Model No.	Coupling Size in. cm	Hose I.D. in. cm	Hose O.D. in. cm	Coupling
2915	1½ 3.8	1½ 3.8	1 <sup>11</sup> / <sub>16</sub> 4.2	2930
2916	2½ 6.4	2½ 6.4	2 <sup>13</sup> / <sub>16</sub> 7.1	2936



**2915 & 2916**

# FIRE HOSE

POTTER-ROEMER



A Division of Smith Industries, Inc.

NOTE: All Hose Normally Supplied With Couplings Attached.

## RUBBER COVERED HOSE 400 PSI/27.5 bars ACCEPTANCE TEST PRESSURE

**FUNCTION:** Used for heavy-duty wash down; provides maximum protection against burns, acids and moisture.

**REGULARLY FURNISHED:** 100% synthetic jacket and synthetic rubber lining with spirally-wrapped synthetic rubber outer covering. Size as selected by Model Number.

Model No.	Coupling Size in. cm	Hose I.D. in. cm	Hose O.D. in. cm	Coupling
2917	1 1/2 3.8	1 1/2 3.8	1 13/16 4.6	2935
2918	1 1/2 3.8	2 5	2 5/16 5.8	2942-2 5/16
2919	2 1/2 6.4	2 1/2 6.4	2 13/16 7.1	2936

AVAILABLE: 50'/15.2 m length  
SPECIFY: Thread  
VARIATION: -N Neoprene lining



2917-2919

## NEOPRENE COVERED HOSE 400 PSI/27.5 bars ACCEPTANCE TEST PRESSURE

**FUNCTION:** Used by the oil and chemical industries when an oil-resistant cover is required.

**REGULARLY FURNISHED:** 100% synthetic jacket and synthetic rubber lining with spirally-wrapped neoprene rubber outer covering. Size as selected by Model Number.

Model No.	Coupling Size in. cm	Hose I.D. in. cm	Hose O.D. in. cm	Coupling
2920	1 1/2 3.8	1 1/2 3.8	1 13/16 4.6	2935
2921	1 1/2 3.8	2 5	2 5/16 5.8	2942-2 5/16
2922	2 1/2 6.4	2 1/2 6.4	2 13/16 7.1	2936

AVAILABLE: 50'/15.2 m length  
SPECIFY: Thread  
VARIATION: -N Neoprene lining



2920-2922

## RACK AND REEL HOSE 500 PSI/34.4 bars ACCEPTANCE TEST PRESSURE PR SUPERFLEX

**FUNCTION:** Used with hose rack and reel assemblies where greater service life is required.

**REGULARLY FURNISHED:** 100% synthetic double jacket and synthetic rubber lining. t FM u label. Size as selected by Model Number.

AVAILABLE: 50'/15.2 m, 75'/22.8 m and 100'/30.4 m lengths

SPECIFY: Length and thread  
OPTIONS: -U/L Label  
VARIATION: -N Neoprene lining

Model No.	Coupling Size in. cm	Hose I.D. in. cm	Hose O.D. in. cm	Coupling
2926	1 1/2 3.8	1 1/2 3.8	1 3/4 4.4	2934
2927	1 1/2 3.8	1 3/4 4.4	1 15/16 4.9	2942
2928	1 1/2 3.8	2 5	2 7/16 5.8	2942-2 5/16
2929	2 1/2 6.4	2 1/2 6.4	2 13/16 7.1	2936

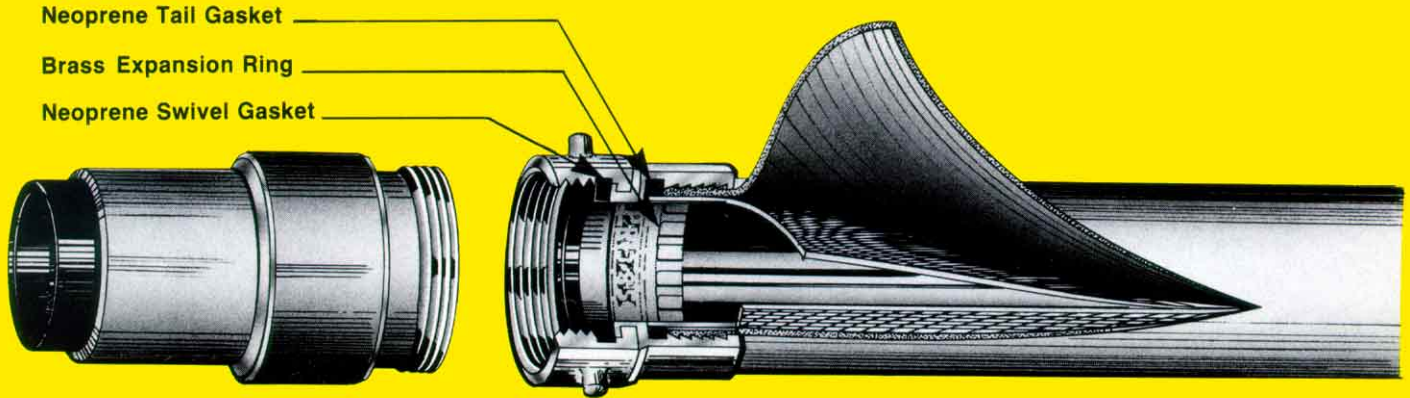


2926-2929

**POLYMER IMPREGNATION:** Imparts excellent weathering properties and resistance to abrasion, heat, oil and ozone. Colors available: Red, Black, Yellow, Orange, Tan, Blue and Green – SPECIFY

**NEOPRENE LINING:** Imparts superior resistance to ozone, heat, cold and acids.

# FIRE HOSE COUPLINGS



## 1 1/2" / 3.8 cm SINGLE LUG COUPLING

**FUNCTION:** Used with Model No. 2915 polyflex hose.

**REGULARLY FURNISHED:** Cast brass finish. 1 1/16" / 4.3 cm bowl size. Single pin lug with two expansion rings, two tail gaskets and one swivel gasket.

Model	Bowl Size
2930 .....	1 1/16" / 4.2 cm
2934 .....	1 3/4" / 4.4 cm

**OPTIONAL FINISHES:** -B Polished Brass  
 -C Rough Chrome Plated  
 -D Polished Chrome Plated

**VARIATION:** With Rocker Lug (Suffix -RL)

**SPECIFY:** Thread



## DOUBLE LUG COUPLINGS

**FUNCTION:** Used with lined fire hose as indicated by bowl size.

**REGULARLY FURNISHED:** Cast brass finish. Bowl size as selected by model number. Double pin lug with two expansion rings, two tail gaskets and one swivel gasket.

### 1 1/2" / 3.8 cm Size

Model	Bowl Size
2935 .....	1 13/16" / 4.6 cm
2938 .....	1 15/16" / 4.9 cm

### 2 1/2" / 6.4 cm Size

Model	Bowl Size
2936 .....	2 13/16" / 7.1 cm
2937 .....	3" / 7.6 cm

**OPTIONAL FINISHES:** -B Polished Brass  
 -C Rough Chrome Plated  
 -D Polished Chrome Plated

**VARIATION:** With Rocker Lug (Suffix -RL)

**SPECIFY:** Thread



## DOUBLE LUG COUPLINGS

**FUNCTION:** Used with lined fire hose as indicated by bowl size.

**REGULARLY FURNISHED:** Cast brass finish. Bowl size as selected by model number. Double pin lug with two expansion rings, two tail gaskets and one swivel gasket.

### 1 1/2" / 3.8 cm Size

Model	Bowl Size	Optional Bowl Size: Specify
2941 .....	1 13/16" / 4.6 cm	{ 1 3/4" / 4.4 cm { 1 13/16" / 4.6 cm { 2 1/8" / 5.4 cm
2942 .....	1 15/16" / 4.9 cm	{ 2 5/16" / 5.9 cm { 2 3/8" / 6.5 cm

### 2 1/2" / 6.4 cm Size

Model	Bowl Size
2943 .....	2 13/16" / 7.1 cm
2944 .....	3" / 7.6 cm

**SPECIFY:** Thread

# STRAIGHT STREAM NOZZLES

POTTER-ROEMER



A Division of Smith Industries, Inc.

## PLAIN NOZZLES

**FUNCTION:** Used to project a water stream over greater distances.

### POLY CARBONATE

**REGULARLY FURNISHED:** 1½"/3.8 cm x 10"/25.4 cm nylon nozzle with ½"/1.2 cm tip for 1½"/3.8 cm hose.

**Model** ..... **Size**  
**2945** ..... 1½"/3.8 cm

**THREADS AVAILABLE:**

- NST
- NPSH
- NYFD

**SPECIFY:** Thread

### BRASS

**REGULARLY FURNISHED:** Cast brass nozzle with satin finish. Size as selected by Model Number.

Model No.	Size in. cm	Length in. cm	Tip Orifice in. cm
2947	1½ 3.8	10 25.4	½ 1.2
2948	2½ 6.4	12 30.4	1 2.54

**OPTIONAL FINISHES:**

- B Polished Brass
- C Rough Chrome Plated
- D Polished Chrome Plated

**SPECIFY:** Thread



**2945**



**2947 & 2948**

## UNDERWRITERS PLAYPIPE

**FUNCTION:** Used to project heavy water streams over greater distances. Provides a readily available means of conducting flow tests from fire pumps.

**REGULARLY FURNISHED:** Cast brass base. Swivel handle and tip with red painted copper pipe. Discharge end threaded ULT 2½"/6.4 cm x 30"/76.2 cm with 1½"/2.8 cm tip orifice.

**OPTION:** -BR Playpipe brackets

**VARIATION:** Tip orifice available ½"/1.2 cm through 1¼"/4.4 cm **SPECIFY:** Size

**SPECIFY:** Base thread



**2949**

## SHUT-OFF NOZZLES

**FUNCTION:** Used to project a water stream over greater distances. Shut-off feature provides control of straight stream at the nozzle.

**REGULARLY FURNISHED:** Cast brass nozzle with polished finish. Quick shut-off handle, rubber bumper and swivel base.

**Model 2950** ...for 1½"/3.8 cm hose. Overall length with tip 8¾"/22.2 cm Tip orifice size ½"/1.2 cm.

**VARIATION:** Tip orifice available. ¼"/.63 cm through ¾"/1.9 cm

**Model 2951** ...for 2½"/6.4 cm hose. Overall length with tip 11½"/29.2 cm Tip orifice size 1"/2.5 cm.

**SPECIFY:** Size ¾"/.95 cm through 1¼"/3.2 cm

**Model 2952** ...for playpipe use. Overall length with tip 10¾"/27.3 cm. Threaded ULT only. Tip orifice size 1"/2.5 cm.

¾"/.95 cm through 1¼"/3.2 cm



**2950**



**2951**



**2952**

**OPTIONAL FINISH:** -D Polished Chrome Plated

### STRAIGHT STREAM NOZZLE DISCHARGE DATA

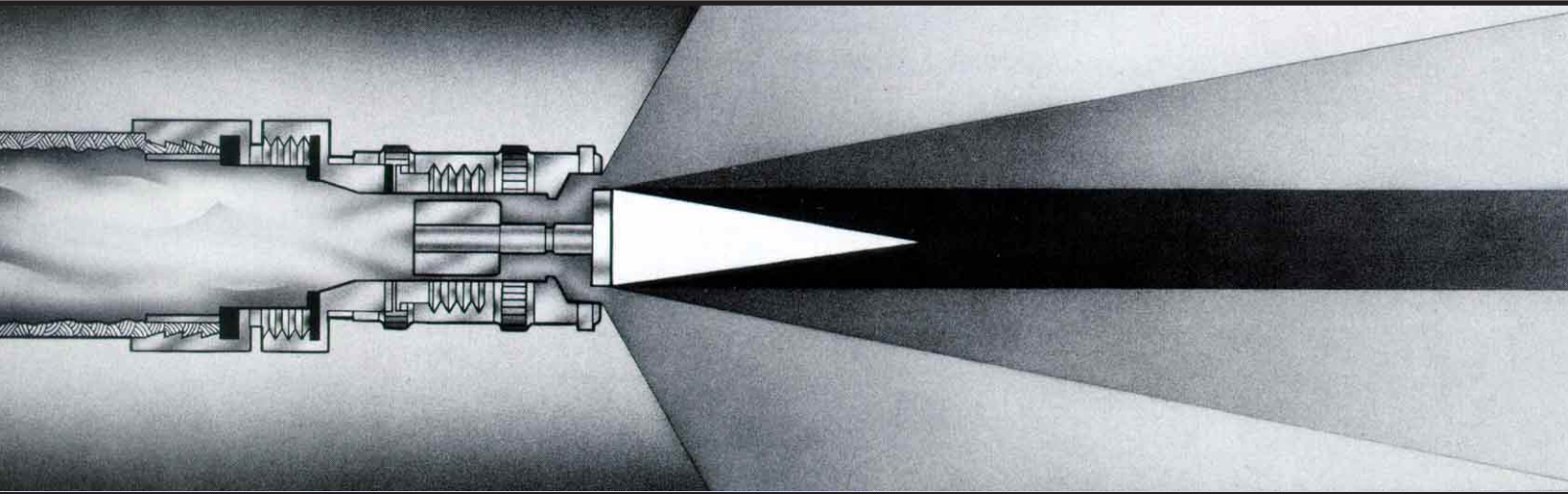
PSI Bars at Nozzle	Nozzle Orifice Size											
	¼" 0.6cm	5/16" 0.8cm	3/8" 0.9cm	½" 1.2cm	5/8" 1.5cm	¾" 1.9cm	7/8" 2.2cm	1" 2.5cm	1¼" 2.8cm	1½" 3.2cm	1¾" 3.8cm	1½" 4.4cm
25 1.7 bars	9 34	15 56.7	21 79.4	38 143.8	60 227.1	85 321.7	120 454.2	150 567.7	190 719.1	230 870.5	340 1287	460 1741
50 3.4 bars	13 49.2	20 75.7	29 109.7	50 189.2	80 302.8	115 435.2	160 605.6	205 575.9	265 1003	320 1211	460 1741	625 2365
75 5.1 bars	16 60.5	25 94.6	35 132.4	62 234.6	95 359.5	140 529.9	190 719.1	250 946.3	325 1230	400 1514	560 2119	775 2933
100 6.9 bars	18 68.1	28 106	40 151.4	72 272.5	115 435.2	160 605.6	220 832.7	290 109.8	375 1419	450 1703	650 2460	900 3406

FLOW IN GPM/lpm

NOTE: ALWAYS INDICATE HOSE THREAD REQUIREMENTS.

All dimensions in English and Metric.

# FOG NOZZLES



## ADJUSTABLE NOZZLES

**FUNCTION:** Used on class A and B fires in most industrial applications, including hose rack and reel assemblies. Adjustments from fog to straight stream to shutoff.

### NYLON WITH BUMPER

**REGULARLY FURNISHED:** t FM u red nylon nozzle with rubber bumper. Size as selected by Model Number.

Model	Size	THREADS AVAILABLE
2959	. . . 1" / 2.5 cm	NST NPSH
2960	. . . 1½" / 3.8 cm	NYFD CFD
2961	. . . 2½" / 6.4 cm	<b>SPECIFY:</b> Thread

### BRASS

**REGULARLY FURNISHED:** U/L-t FM u cast brass nozzle with satin finish.

Model	Size
2962	. . . . . 1½" / 3.8 cm

**OPTIONAL FINISHES:**

- B Polished Brass
- C Rough Chrome Plated
- D Polished Chrome Plated

**SPECIFY:** Thread



FM

**2959-2961**



FM

U/L

**2962**

## BRASS WITH BUMPER

**REGULARLY FURNISHED:** U/L cast brass nozzle with satin finish and rubber bumper. Size as selected by Model Number.

Model	Size
2971	. . . . . 1" / 2.5 cm
2972	. . . . . 1½" / 3.8 cm
2973	. . . . . 2½" / 6.4 cm
2974	For playpipe use (threaded ULT only.)

**OPTIONAL FINISHES:**

- B Polished Brass
- C Rough Chrome Plated
- D Polished Chrome Plated

**SPECIFY:** Thread

## ALL-FOG ADJUSTABLE NOZZLES FOR ELECTRICAL APPLICATIONS

**FUNCTION:** Used on class A, B and C fires. Adjustments from full fog to shutoff with no straight stream position. Suitable for use in electrical hazard areas, at distances of 10' / 3 m and greater, with voltage levels below 250,000 volts.

### NYLON WITH BUMPER

**REGULARLY FURNISHED:** t FM u red nylon nozzle with rubber bumper.

Model 2980	. . . . . Size 1½" / 3.8 cm
------------	-----------------------------

**THREADS AVAILABLE:**

- NST NPSH
- NYFD CFD

**SPECIFY:** Thread

### BRASS WITH BUMPER

**REGULARLY FURNISHED:** U/L cast brass nozzle with satin finish and rubber bumper.

Model 2985	. . . . . Size 1½" / 3.8 cm
------------	-----------------------------

**OPTIONAL FINISHES:**

- B Polished Brass
- C Rough Chrome Plated
- D Polished Chrome Plated

**SPECIFY:** Thread



FM

**2980**



FM

U/L

**2985**

# CONSTANT FLOW FOG NOZZLES

POTTER-ROEMER



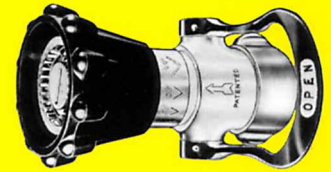
A Division of Smith Industries, Inc.

## BRASS SINGLE GALLONAGE NOZZLES

**FUNCTION:** Used on class A and B fires. Adjustments from varying fog patterns to straight stream. Constant flow maintained at 100 PSI/6.9 bars regardless of stream adjustment.

**REGULARLY FURNISHED:** Cast brass nozzle with polished finish. Integral ball shut off with horseshoe handle. Positive grip rubber bumper, swivel base. Size as selected by Model Number.

Model	Size	GPM	OPTIONAL FINISH:
2991	3/4"/1.9 cm	.20/75.7 lpm	-D Polished Chrome Plated
2992	1"/2.5 cm	.20/75.7 lpm	<b>SPECIFY:</b> Thread
2993	1 1/2"/3.8 cm	.100/378.5 lpm	
2994	2 1/2"/6.4 cm	.250/946.3 lpm	



2991-2994

## ALUMINUM SINGLE-GALLONAGE NOZZLE

**FUNCTION:** Used on class A and B fires. Adjustments from varying fog patterns to straight stream. Constant flow maintained at 100 PSI/6.9 bars regardless of stream adjustment. Suitable for AFFF application (Refer to note below).

**REGULARLY FURNISHED:** Lightweight aluminum nozzle with hard anodized finish. Integral ball shut off with horseshoe handle. Positive grip rubber bumper, swivel base.

Model	Size	GPM	THREADS AVAILABLE:
2995	1 1/2"/3.8 cm	.95/359.5 lpm	NST OR NPSH
			<b>SPECIFY:</b> Thread

OPTIONAL: 60/227.1 lpm or 125/473.1 lpm      **SPECIFY:** GPM/lpm



2995

## ALUMINUM ADJUSTABLE-GALLONAGE NOZZLES

**FUNCTION:** Used on class A and B fires. Adjustments from varying fog patterns to straight stream. Selected gallonage maintained at 100 PSI/6.9 bars regardless of stream adjustment. Suitable for AFFF application (Refer to note below).

**REGULARLY FURNISHED:** Lightweight aluminum alloy nozzle with hard anodized finish. Integral ball shut off with horseshoe handle. Positive grip rubber bumper, swivel base. Gallonage adjustments for 1 1/2"/3.8 cm nozzle of 30/113.5 lpm, 60/227.1 lpm, 95/359.5 lpm, 125/473.1 lpm. 2 1/2"/6.4 cm nozzle 150/567.8 lpm, 200/757 lpm, and 250/946.3 lpm GPM. (For selection refer to chart below.)

Model	Size	For use with	THREADS AVAILABLE:
2996	1 1/2"/3.8 cm	1 1/2"/3.8 cm, 1 3/4"/4.5 cm, 2"/5 cm and 2 1/2"/6.4 cm hose lines	NST or NPSH
2997	1 1/2"/3.8 cm size with integral pistol grip.		<b>SPECIFY:</b> Thread
2998	2 1/2"/6.4 cm size with integral pistol grip.		



2996-2998

**NOTE on AFFF:** When used for aqueous film forming foam (AFFF) application, nozzle Model Numbers 2995, 2996, 2997, and 2998 must be used with an eductor of equal gallonage rating. Contact Potter-Roemer for application assistance.

Nozzle Position	PSI Bars	Nozzle Model Number																	125 GPM Adj. 473.1		
		2959	2960	2961	2962	2971	2972	2973	2974	2980	2985	2991	2992	2993	2994	2995	2996	2997	2998		
Straight Stream	50 3.4	15 56.7	38 143.8	83 314.1	45 170.3	18 68.1	45 170.3	90 340.6	90 340.6	—	—	14 53	14 53	70 265	175 662.4	57 215.7	80 302.8	80 302.8	150 567.8		
	75 5.1	20 75.7	48 181.6	101 382.3	50 189.2	22 83.2	50 189.2	100 378.5	100 378.5	—	—	17 64.3	17 64.3	85 321.7	215 813.8	80 302.8	100 378.5	100 378.5	215 813.8		
	100 6.9	22 83.2	71 268.7	118 446.6	55 208.1	24 90.8	55 208.1	100 378.5	110 416.3	—	—	20 75.7	20 75.7	100 378.5	250 946.3	95 359.5	125 473.1	125 473.1	250 946.3		
30° Fog	50 3.4	15 56.7	52 196.8	119 450.4	50 189.2	21 79.4	50 189.2	120 454.2	120 454.2	56 212	45 170.3	14 53	14 53	70 265	175 662.4	57 215.7	80 302.8	80 302.8	150 567.8		
	75 5.1	20 75.7	62 234.6	150 561.7	55 208.1	25 94.6	55 208.1	140 529.9	140 529.9	62 234.6	55 208.1	17 64.3	17 64.3	85 321.7	215 813.8	80 302.8	100 378.5	100 378.5	215 813.8		
	100 6.9	22 83.2	71 268.7	170 643.4	60 227.1	28 106	60 227.1	165 624.5	165 624.5	79 299	65 246	20 75.7	20 75.7	100 378.5	250 946.3	95 359.5	125 473.1	125 473.1	250 946.3		
60° Fog	50 3.4	15 56.7	52 196.8	119 450.4	55 208.1	24 90.8	55 208.1	130 492	130 492	52 196.8	55 208.1	14 53	14 53	70 265	175 662.4	57 215.7	80 302.8	80 302.8	150 567.8		
	75 5.1	20 75.7	62 234.6	150 567.7	65 246	28 106	65 246	150 567.7	150 567.7	62 234.6	65 246	17 64.3	17 64.3	85 321.7	215 813.8	80 302.8	100 378.5	100 378.5	215 823.8		
	100 6.9	22 83.2	71 268.7	170 643.4	75 283.8	32 121.1	75 283.8	180 681.3	180 681.3	78 295.2	75 283.8	20 75.7	20 75.7	100 378.5	250 946.3	95 359.5	125 473.1	125 473.1	250 946.3		
90° Fog	50 3.4	15 56.7	51 193	138' 522.3	60 227.1	27 102.2	60 227.1	145 548.8	145 548.8	56 212	65 246	14 53	14 53	70 265	175 662.4	57 215.7	80 302.8	80 302.8	150 567.8		
	75 5.1	20 75.7	60 227.1	168 635.9	75 283.8	32 121.1	75 283.8	180 681.3	180 681.3	62 234.6	75 283.8	17 64.3	17 64.3	85 321.7	215 813.8	80 302.8	100 378.5	100 378.5	215 813.8		
	100 6.9	22 83.2	71 268.7	195 738.1	80 302.8	36 136.2	80 302.8	205 775.9	205 775.9	77 291.4	85 321.7	20 75.7	20 75.7	100 378.5	250 946.3	95 359.5	125 473.1	125 473.1	250 946.3		
Full Fog	50 3.4	15 56.7	51 193	138' 522.3	75 283.8	30 113.5	75 283.8	200 757	200 757	56 212	70 265	14 53	14 53	70 265	175 662.4	57 215.7	80 302.8	80 302.8	150 567.8		
	75 5.1	20 75.7	62 234.6	168 635.9	85 321.7	35 132.4	85 321.7	236 893.3	230 870.5	62 234.6	80 302.8	17 64.3	17 64.3	85 321.7	215 813.8	80 302.8	100 378.5	100 378.5	215 813.8		
	100 6.9	22 83.2	71 268.7	195 738.1	90 340.6	41 155.1	90 340.6	275 1041	275 1041	77 291.4	90 340.6	20 75.7	20 75.7	100 378.5	250 946.3	95 359.5	125 473.1	125 473.1	250 946.3		

Gallons Per Min./Liters Per Min.

NOTE: ALWAYS INDICATE HOSE THREAD REQUIREMENTS.

All dimensions in English and Metric.