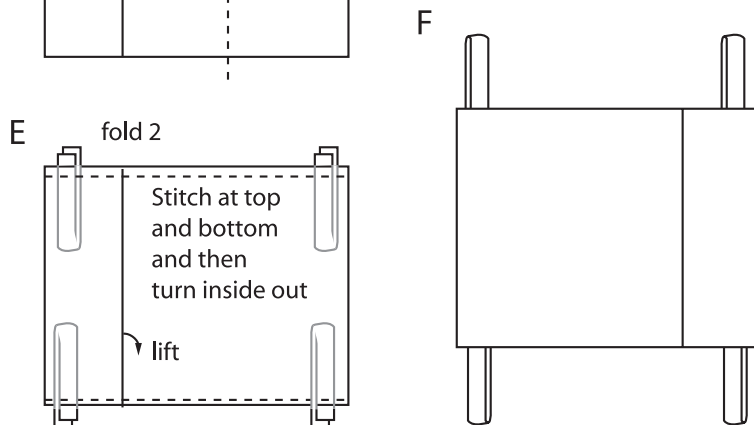
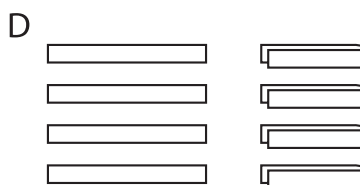
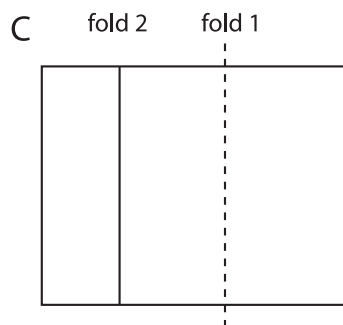
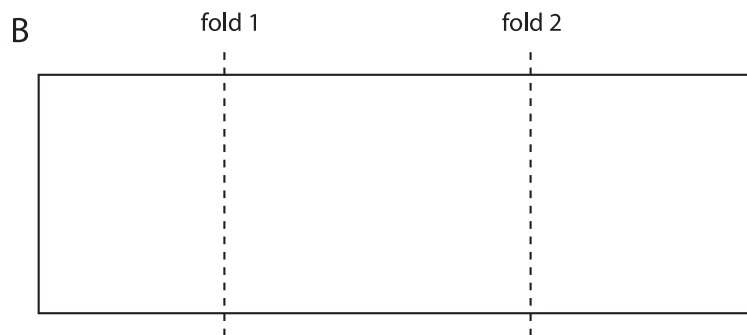
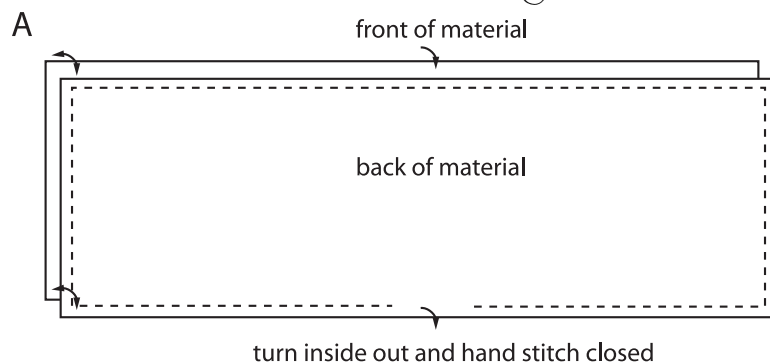




RAINBOW BRIDGE

How To Make Comfy Bedding for Your Ferret!



Step 1: Start by finding a nice soft piece of fabric that you think might make a nice hammock for your ferret. To approximate the size of the finished hammock, fold the piece of material in half and then add a little bit. This should give you an idea of how big you want to make the hammock as they can be made to any size.

Step 2: Cut two pieces of equal size and putting fronts together, stitch all the way around except for about 6". Turn the piece inside out and hand stitch the open area closed. (A)

Step 3: Determine where you will fold the ends over. (B) Keep in mind that one end should overlap the other so that the hammock can "close". (C)

Step 4: Cut ribbon or other non-raveling type of material into 6" - 8" strips. (D) These pieces will become the loops for the hammock to hang from. Fold in half.

Step 5: Insert folded strips into folded hammock base tucking the looped end inside and leaving the loose ends sticking out about 1/2". (E) Sew straight across from one end to the other catching both of the loops. Do the same for the other end.

Step 6: Lift up the one overhanging edge and turn inside out. Voila! You have just completed your first ferret hammock! Congratulations!

Variations on a Theme: Use different types of material to get a summer version or a winter version of a hammock. Cottons are usually cooler and great for warmer weather, and polar fleece and flannel are excellent for colder days!

Remember... that the thicker the material, the stronger sewing machine needle is required! Happy sewing!

*There is a place
that I know,*

*Where our ferrets
always go...*

*When it's time
to leave this plane*

*To be happy and
healthy again.*

*God bless all the
fuzzies who
found a new life
up in heaven...*



Lace



Nemo



*Our lives
will not be
the same
without you!*

*I've never been
happier to see
such a short list
of names as I was
with this one.*

*I'd like to think
that this is
a reflection of
the excellent care
our AFS members
are taking of their
fuzzied loved ones...*

- betty

**Look easy enough to do?
If you think you would like to sew
hammocks and do it for a worthy
cause... see page 7 for details!**