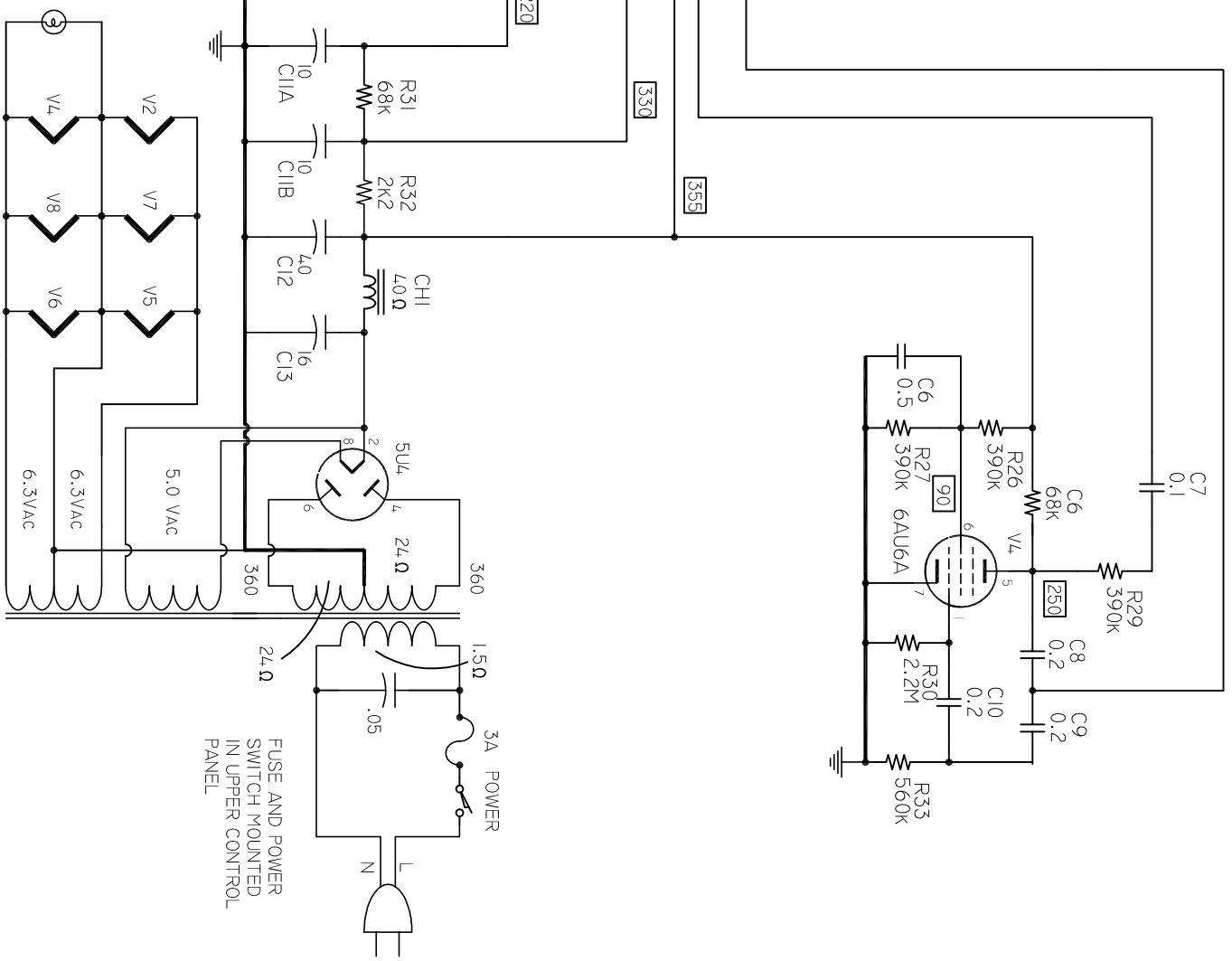


VOLTAGE CHART

| | 1 | 2 | 3 | 4 | 5 | 6 | 7 | 8 | 9 |
|-------|-----|------|------|-------|-----|-------|-----|------|---|
| 12AX7 | 165 | - | 1.2 | * | * | 165 | 1.2 | - | * |
| 6CG7 | 190 | 4.0 | 38 | * | * | 190 | 4.0 | 38 | - |
| 12AX7 | 188 | - | 1 | * | * | 200 | 19 | 17.5 | - |
| 6AU6 | 0 | 0 | * | * | 250 | 90 | 0 | - | - |
| 6L6G | NC | - | 34.0 | 33.0 | NC | - | - | 27 | - |
| 6L6G | NC | - | 34.0 | 33.0 | NC | - | - | 27 | - |
| 6L6G | NC | - | 34.0 | 33.0 | NC | - | - | 27 | - |
| 6L6G | NC | - | 34.0 | 33.0 | NC | - | - | 27 | - |
| 5U4G | - | 34.0 | - | 360AC | 0 | 360AC | - | 34.0 | - |

ALL VOLTAGES MEASURED WITH HIGH IMPEDANCE VOLTMETER
 CAPACITOR VALUES IN UF UNLESS NOTED
 RESISTOR VALUES IN OHMS
 BOXED VALUES ARE DC VOLTS

- V1-12AX7
- V2-6CG7
- V3-12AX7
- V4-6AU6
- V5-6L6G
- V7-6L6G
- V8-6L6G



Weatherford Amplifiers

SCALE: NONE
 DATE: 10/18/2006
 DRAWN BY: SEAN WEATHERFORD

THIS SCHEMATIC IS A REDRAW OF AN EXISTING SCHEMATIC FOR A SILVERTONE 1434.
 ALL INFORMATION IS BELIEVED TO BE CORRECT. PLEASE CONTACT SEANWEATHERFORD@MSN.COM
 IF FOR ANY QUESTIONS OR CORRECTIONS. RESISTOR VALUES PROVIDED BY MATTI NIEMI

SILVERTONE 1434
 DRAWING NUMBER
 SIL434.R.2