

CATALOG SUPPLEMENT 481

WITH

NEW PARTS & ASSEMBLIES

FIRST USED ON

WORLD CUP



Williams[®] ELECTRONICS, INC.

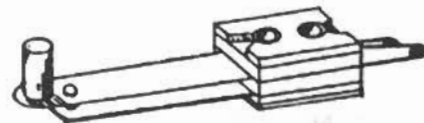
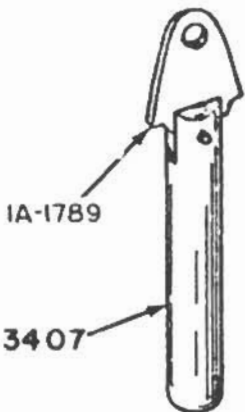
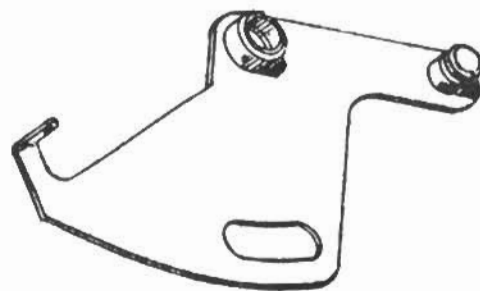
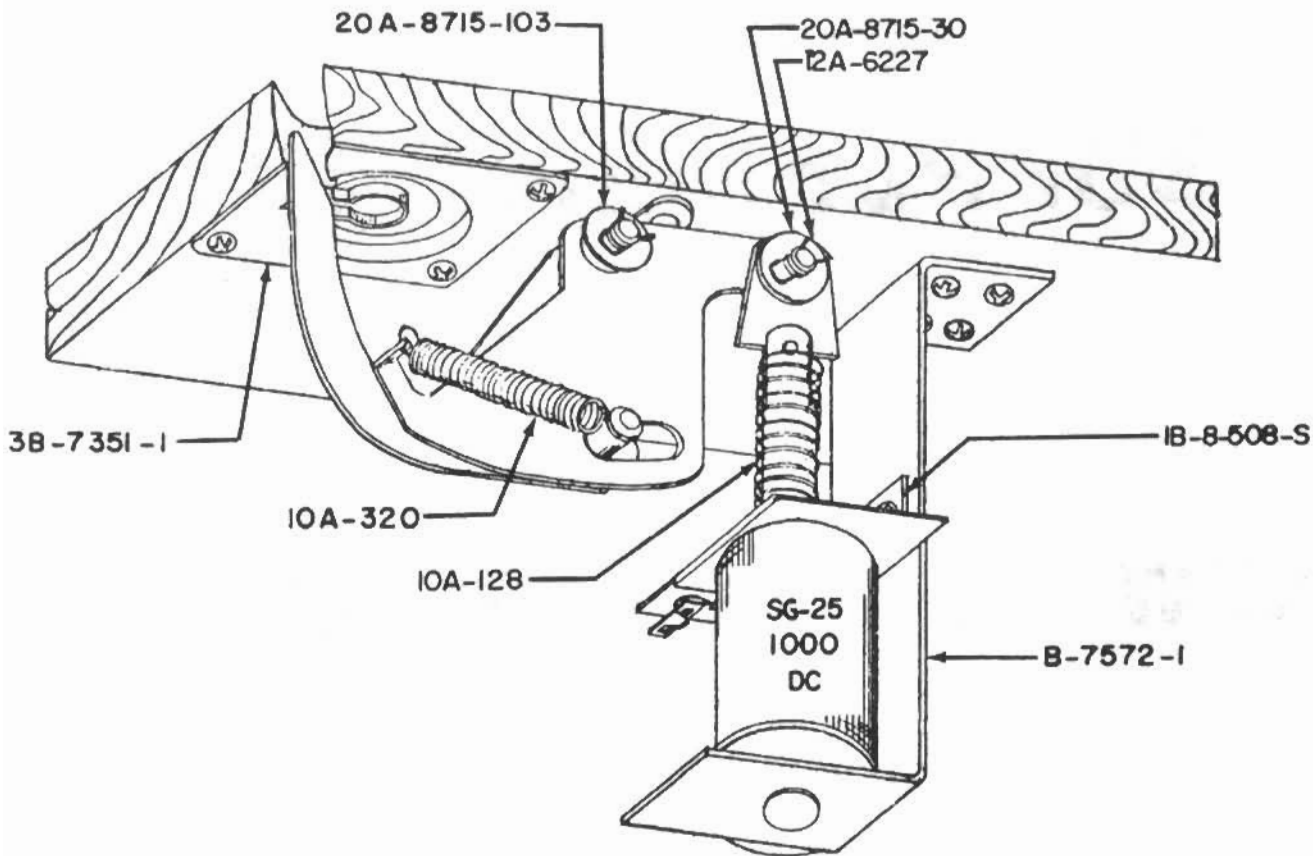
SUBSIDIARY OF XCOR CORPORATION

3401 N. California Ave.
(312) 267-2240

MAY
1978

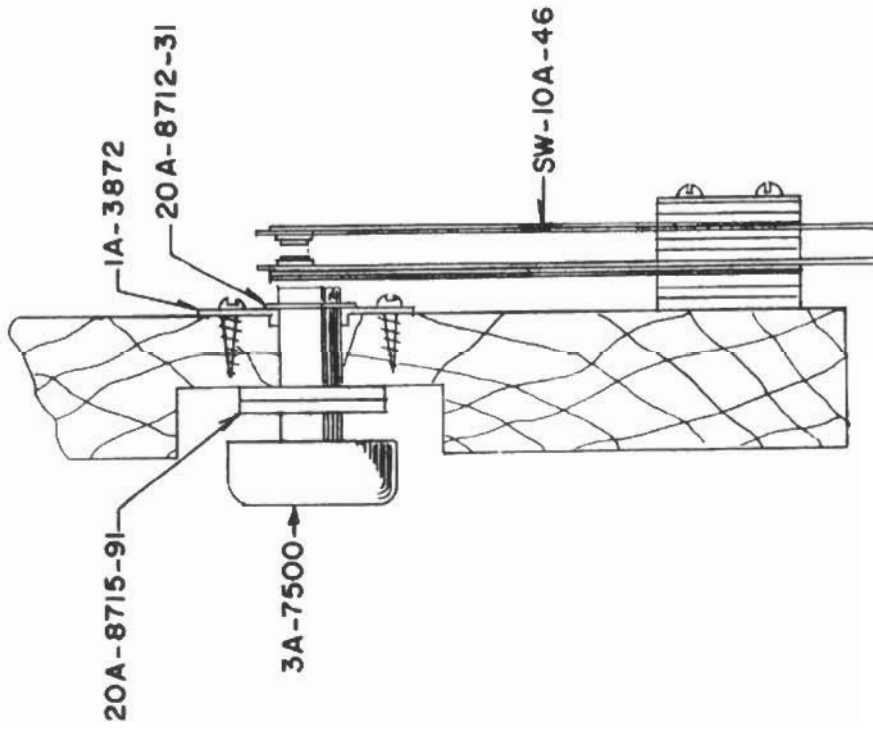
Chicago, Ill. 60618, U.S.A.
Cable Address: Wilcoin

B-7472-5R
BALL EJECT ASSEMBLY



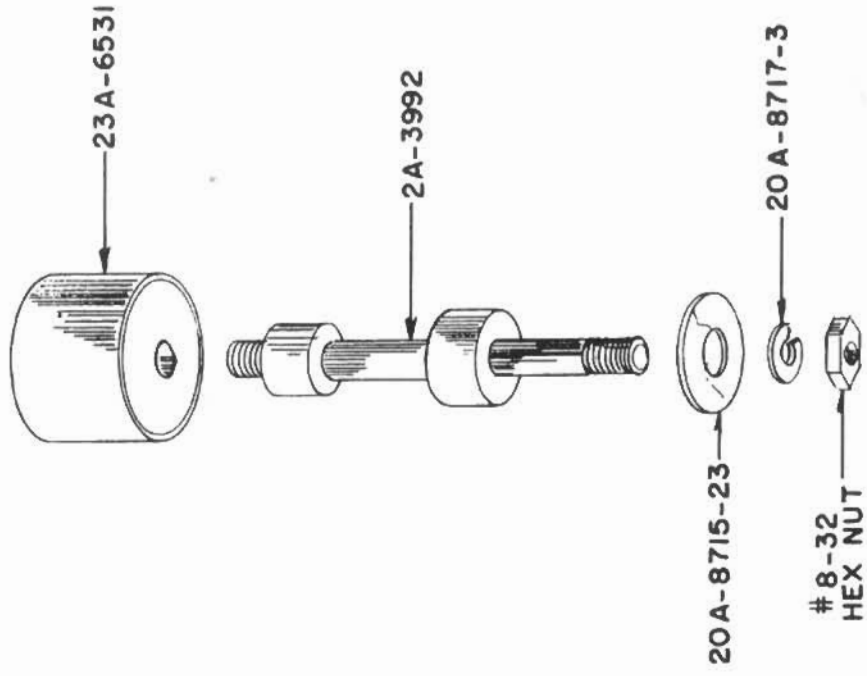
A-8064

FLIPPER BUTTON ASSEMBLY

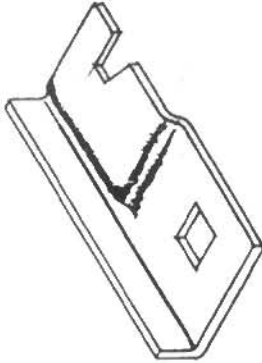


A-8052

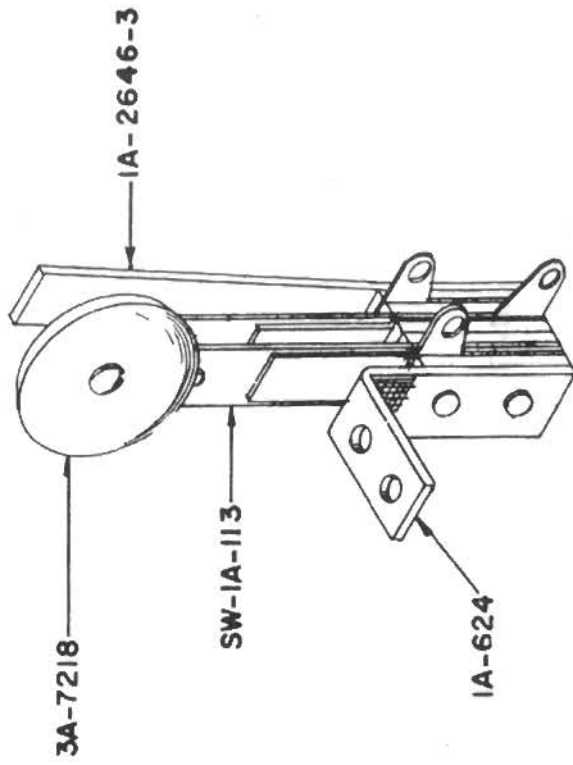
RUBBER POST ASSEMBLY



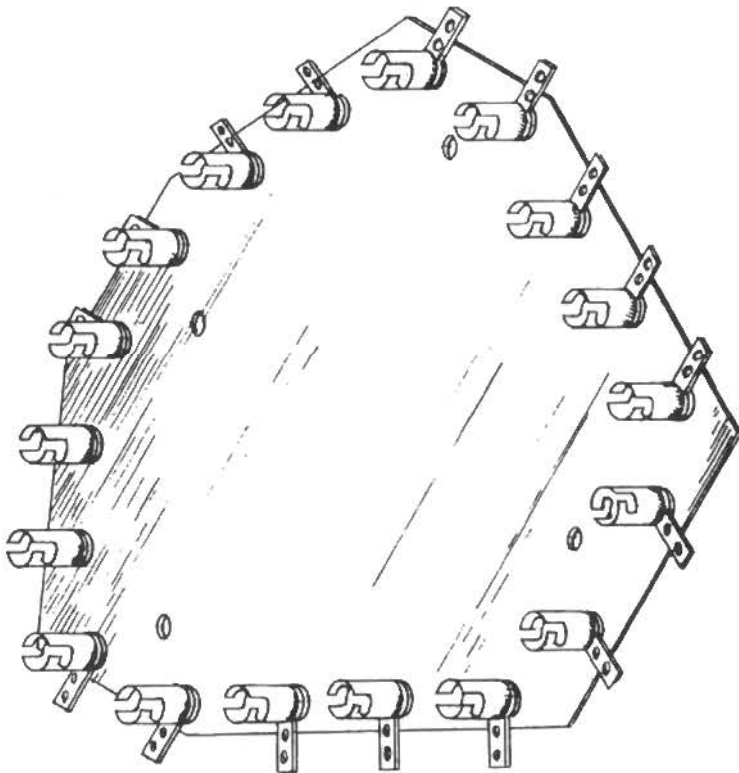
LOCK CAM
(FOR FRONT DOOR)



IA-3574 - 2

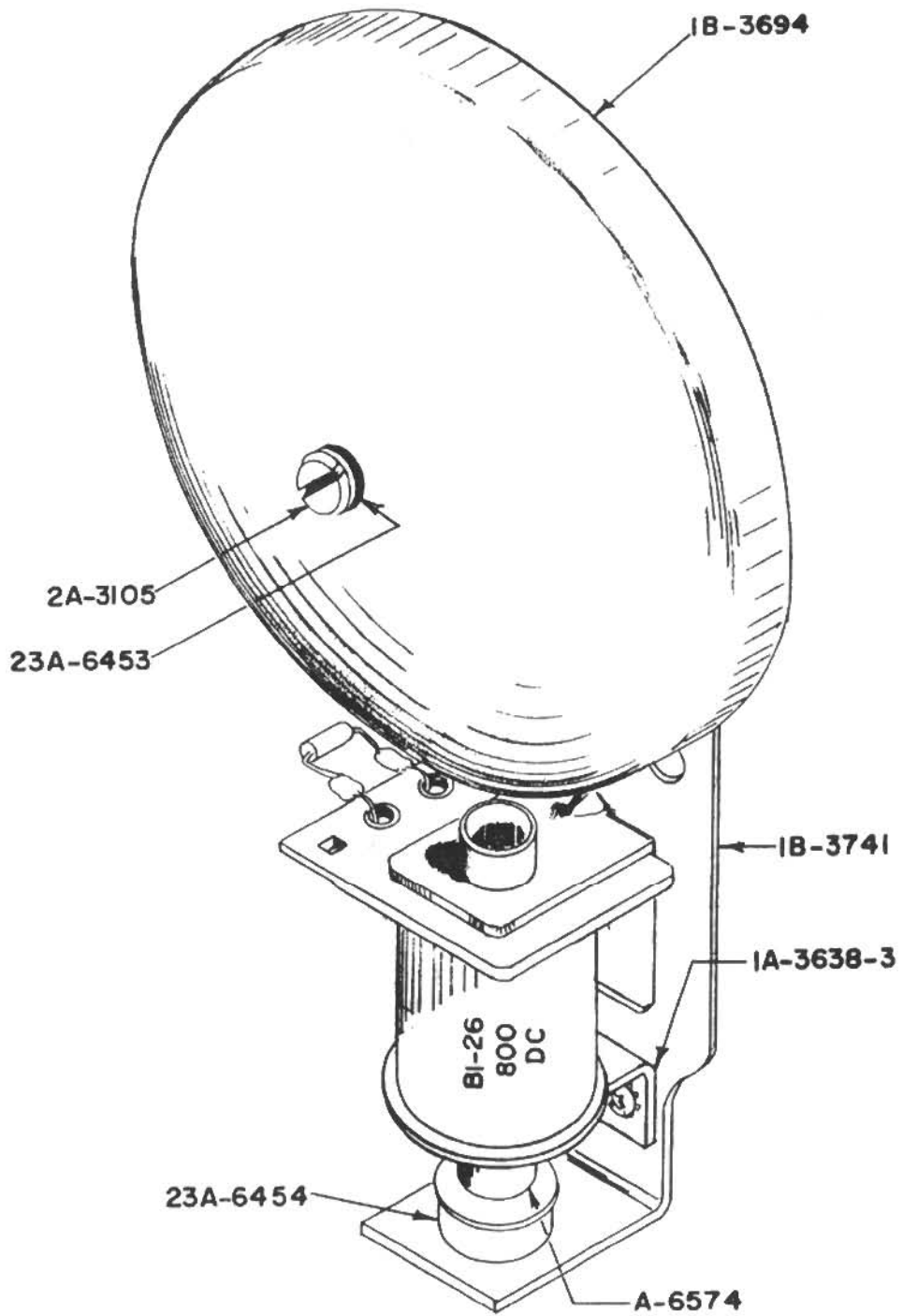


A-8054
STATIONARY TARGET ASSEMBLY



24B-8696
LIGHT SOCKET PANEL ASSEMBLY

B-6573
4" BELL ASSEMBLY



PRICE LIST

ARRANGED IN NUMERICAL ORDER

<u>PART NUMBER</u>	<u>DESCRIPTION</u>	<u>PRICE</u>
1B-8-508-S	Retaining Bracket for Coil.....	.12
1A-624	Mounting Bracket for Switches.....	.10
1A-2646-3	Limit Bracket for Switches.....	.18
1A-3574-2	Lock Cam for Front Door.....	.74
1B-3694	Steel Bell (4" Dia.).....	2.00
1B-3741	Mounting Bracket for 4" Bell.....	1.40
1A-3638-3	Retaining Bracket for Coil.....	.28
1A-3832	Reset Catch Pawl.....	.64
1A-3872	Retaining Plate for Flipper Button.....	.40
2A-3105	Mounting Screw for 4" Bell.....	.20
2A-3992	Steel Post for Rubber Bumper.....	1.10
3A-7218	Plastic Target (1" Dia.).....	.22
3A-7500	Nylon Button.....	.13
10A-128	Spring for Coil Plunger.....	.08
10A-320	Spring.....	.24
12A-6227	Hairpin Clip 3/16".....	.03
20A-8712-31	"E" Retaining Ring (for 5/16" Dia. Shaft).....	.05
20A-8715-23	Steel Washer.....	.04
20A-8715-30	Steel Washer.....	.03
20A-8715-91	Steel Washer.....	.03
20A-8715-103	Steel Washer.....	.02
20A-8717-3	#8 Lockwasher - Split Type.....	.02
23A-6453	Rubber Grommet.....	.06
23A-6454	Rubber Grommet.....	.08
23A-6531	Rubber Bumper.....	.22
24B-8696	Light Socket Panel Assembly.....	18.26
30C-481	Playfield Plastics - Set of 9.....	26.97
B-6573	4" Bell Assembly Complete.....	10.30
A-6574	Coil Plunger Assembly.....	.60
A-6949-R	Spring Plate Assembly.....	.90
A-6950-R	Pivot Bracket Assembly.....	.56
A-7471R	Eject Cam Assembly.....	1.30
B-7472-5R	Ball Eject Assembly Complete.....	9.09
B-7572-1	Mounting Bracket Assembly.....	1.42
A-8050	Coil Plunger Assembly.....	.80
A-8052	Rubber Post Assembly Complete.....	1.84
A-8054	Stationary Stand Up Target Assembly.....	2.14
A-8064	Flipper Button Assembly Complete.....	4.29

PRICE LIST

ARRANGED IN NUMERICAL ORDER

<u>PART NUMBER</u>	<u>DESCRIPTION</u>	<u>PRICE</u>
SW-1A-113	Stand Up Target Switch.....	1.12
SW-10A-46	Switch Assembly for Flipper Button.....	1.66
SBl-26-800-DC	Coil Assembly for 4" Bell.....	2.50
SB-31-2000-DC	Coil Assembly.....	2.77
SFL-21-400		
33-1300-DC	Coil Assembly for Flippers.....	5.03
SG-25-900-DC	Coil Assembly.....	2.50
SG-25-1000-DC	Coil Assembly.....	2.38
	#8-32 Hex Nut.....	.02