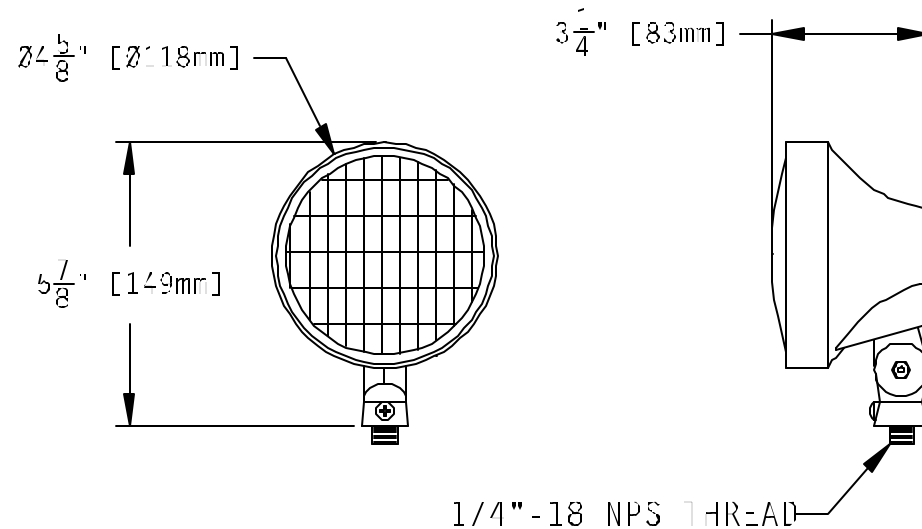




4300 Series Par 36 Non-Metallic Lamphead

5 Wisconsin Ave.
Norwich, CT 06360
Tel. (860) 887-4550
Fax (860) 887-4534
www.lamphead.com (Products)
www.nutron-mfg.com (Company)



Flame Retardant Thermoplastic
Colors - Cream, White, Gray & Black
Lamping:

- Sealed Beam
- 6, 12v Bi Pin Halogen
- 6, 12v Wedge Base
- Double Contact Bayonet Base
- Up To 20 Watts Depending on Lamp Style

Non-Metallic Canopy available in various configurations
Options : Polycarbonate or Glass Lens