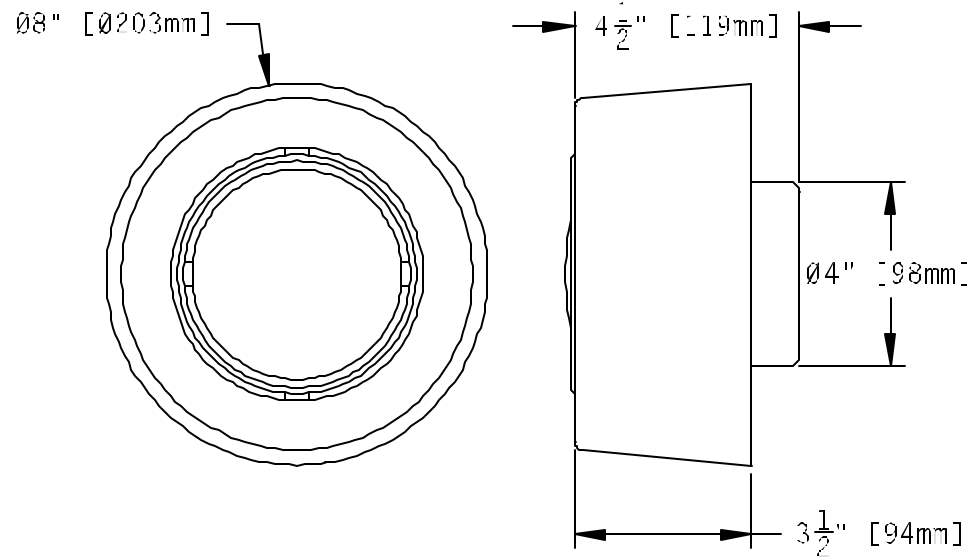




5 Wisconsin Ave.  
Norwich, CT 06360  
Tel. (860) 887-4550  
Fax (860) 887-4534  
www.lamphead.com (Product)  
www.nutron-mfg.com (Company)

## 0336 Series Surface Gimbal Remote



**Construction:** Aluminum Housing and Gimbal w/ Galvanized Snap-In wiring box

**Standard Colors:** Powder coated White / Black ( Custom colors available consult factory for details)

**Lamping:** Par 36 Sealed Beam  
6, 12v Wedge Base  
6, 12v Bi Pin Halogen

Single or Double Contact Bayonet Base

**Options :** Polycarbonate or Glass Lens, Tamperproof Screws