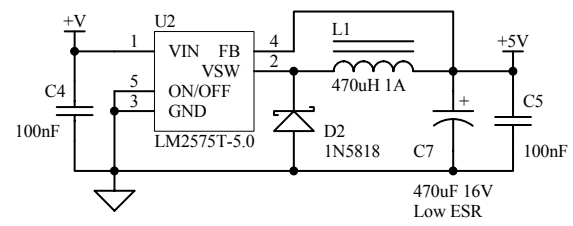
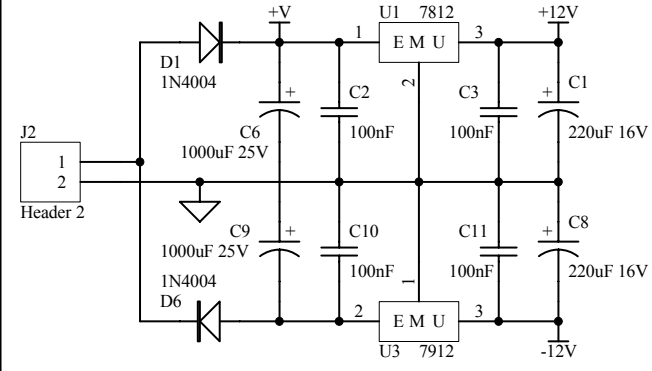
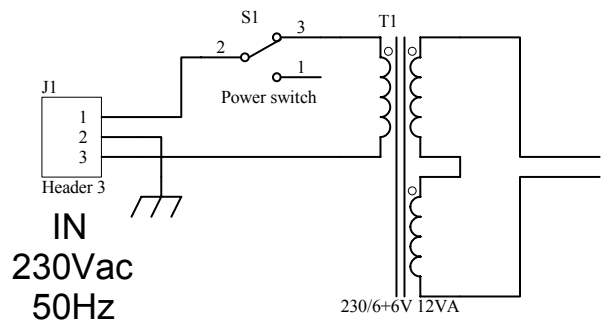
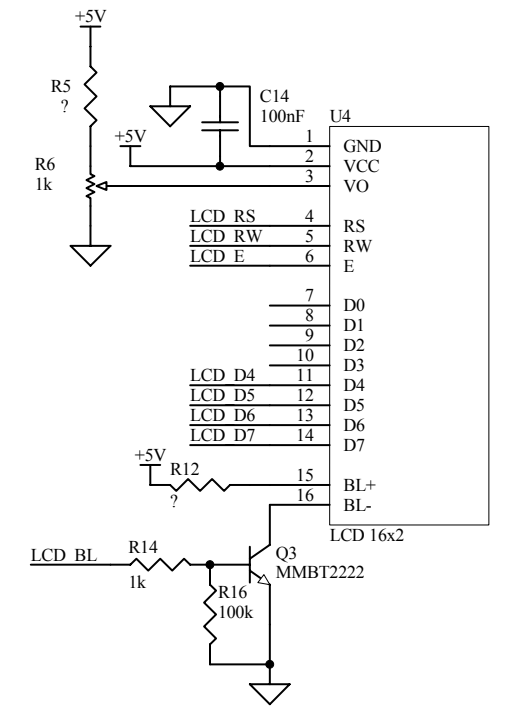
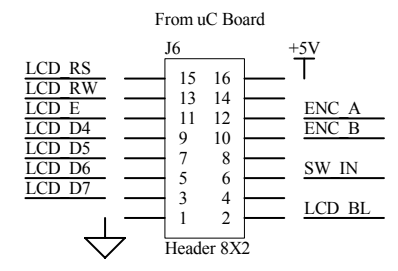
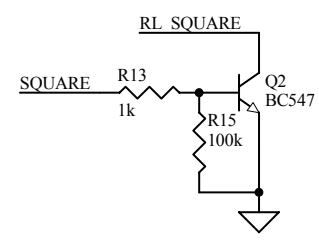
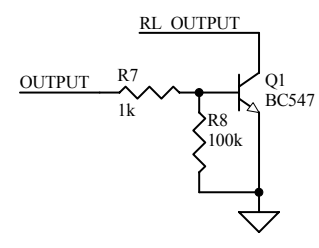
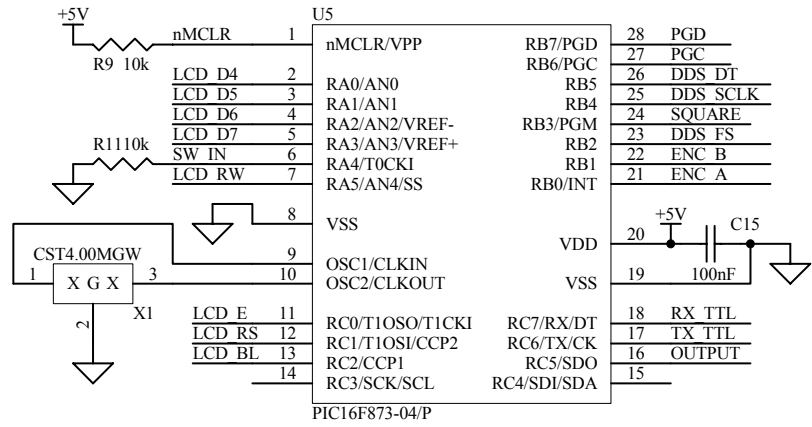
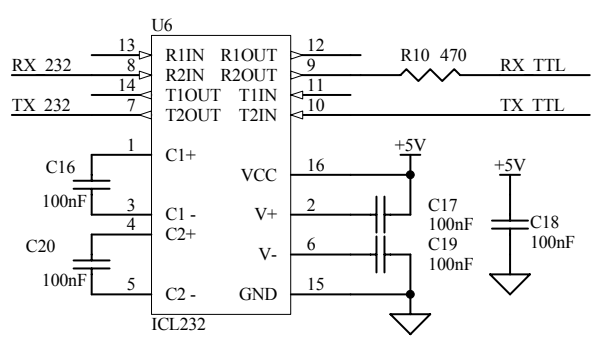
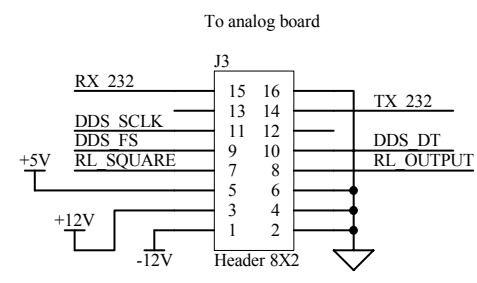
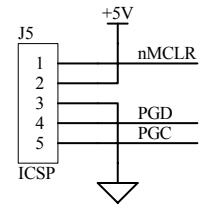
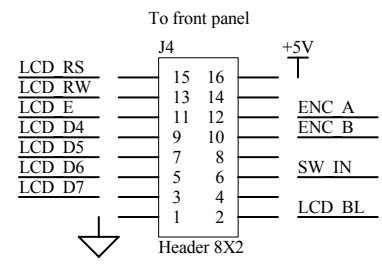
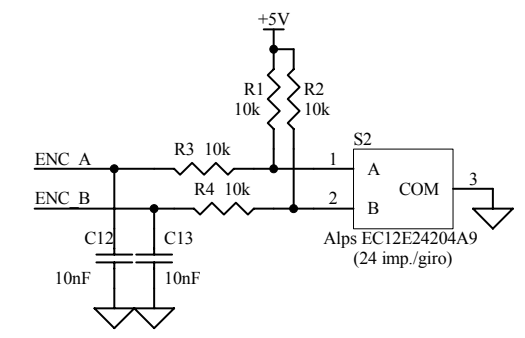
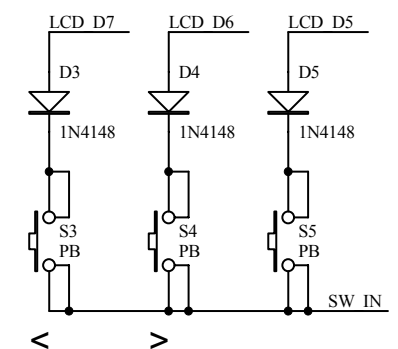


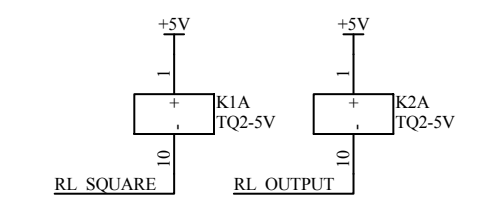
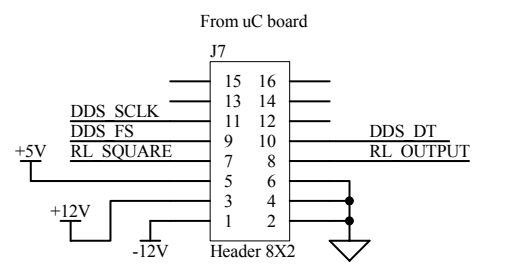
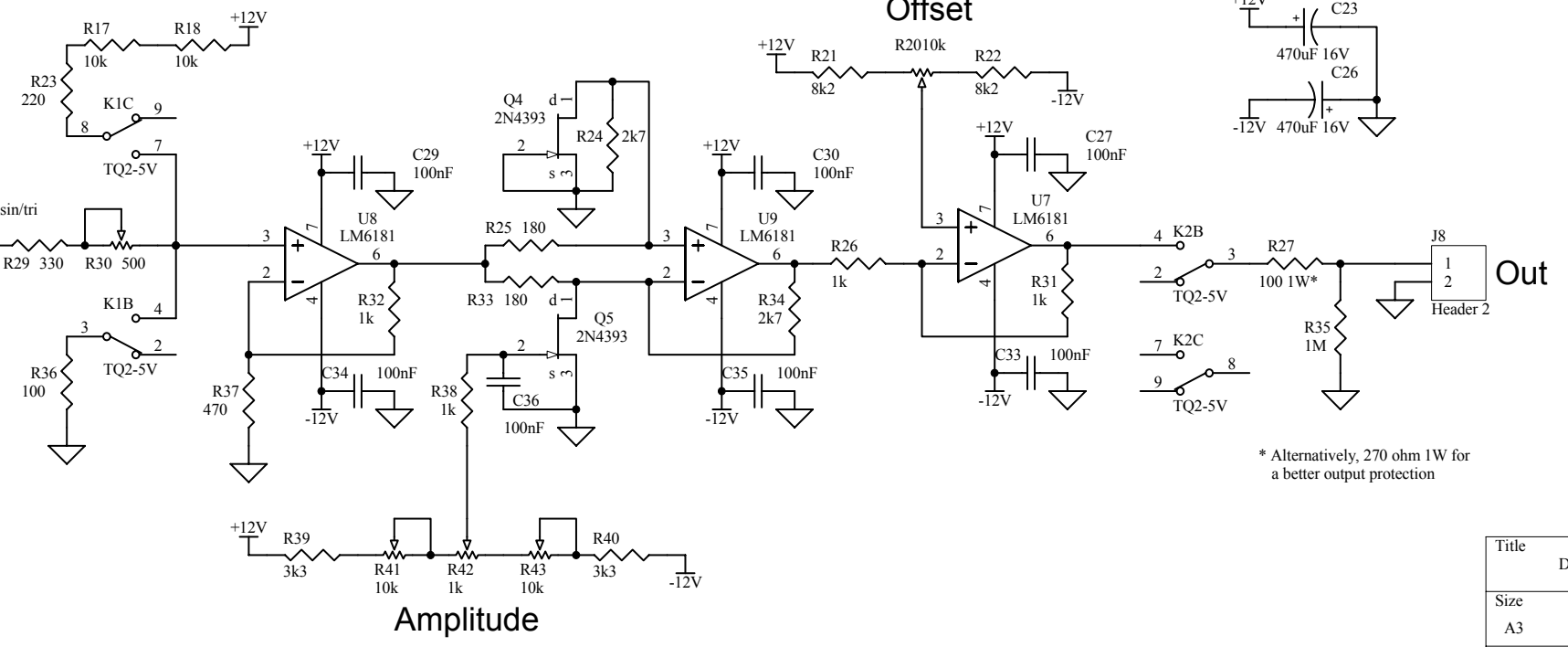
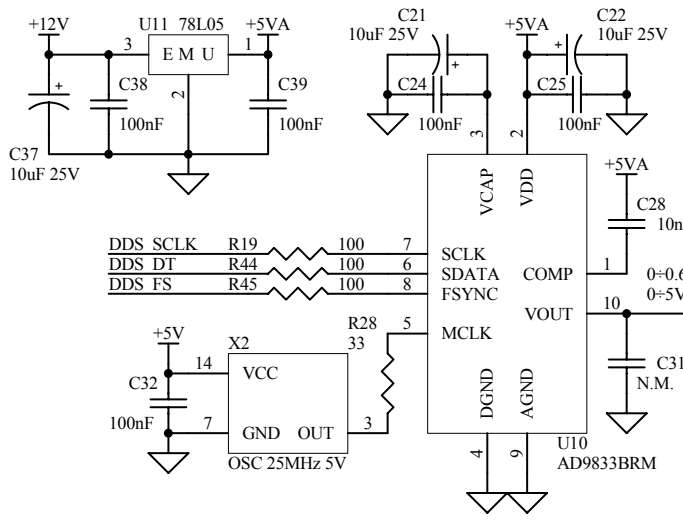
PSU, uC, RS232



FRONT PANEL



DDS, SIGNAL CONDITIONING



Title		
DDS Waveform Generator		
Size	Number	Revision
A3		0
Date:	05/02/2014	Sheet 1 of 1
File:	C:\Programmi\...\DDS.SchDoc	Drawn By: E. Brusati