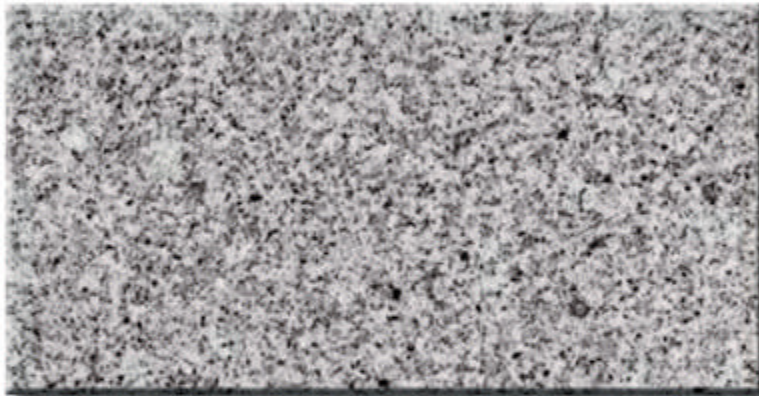


CAPITOL GROUNDS ENTRANCE SIGNS



Proposed sign at the main entrance to the Capitol Grounds



Sierra White Granite



Proposed Sign for East Entrance

The proposed signage for the South and East entrances of the capitol grounds is a Sierra White granite slab cut in the shape of the state. The top, sides and back of the sign have a Diamond 8 finish. The front face consists of three finishes discerning the three geographic regions of North Dakota; the Great Plains, the Drift Prairie, and the Red River Valley. These finishes, from West to East, are Split Face, Thermal and Diamond 8. Diamond 8 is a smooth finish; Split Face, rugged and natural; and Thermal, a rough in-between. The lettering on the face is bronze and 6 inches in height. The sign sits on a horizontal Split Face finished slab of granite with its color matching that of retaining wall at the East entrance to the Judicial Wing.

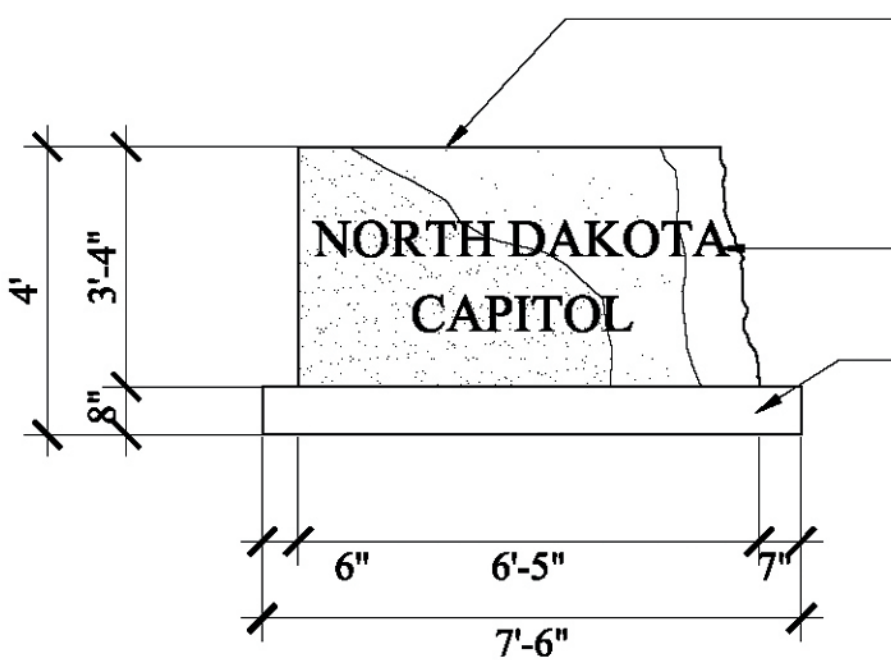
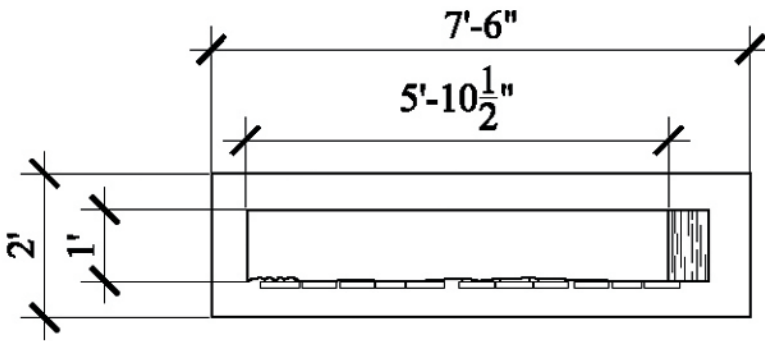
Granite Finishes:

Split Face- A rugged finish with a coarse roughness and natural reflective highlights.

Thermal- a rough textured finish created by applying a high-temp. flame to the stone, fracturing the crystals on the surface.

Diamond 8- a smooth surface finish with no reflection. Similar to a polished finish, but does not undergo a buffing.

Capitol Grounds Entrance Sign



Granite Slab Cut into Shape of State
 Color - Coldspring Granite Sierra White
 With three finishes:
 Split Face, Thermal, and Diamond 8
 from West to East in areas indicated

6" High Bronze Letters
 Roman Style Font
 attached to face of granite

Split Face Granite Base
 color to match retaining wall at east entrance of the Judicial Wing

Granite Finishes from West to East:

Split Face Finish

Split Face finish is a rugged finish with a coarse roughness and natural reflective highlights.

Thermal Finish

Thermal Finish is a rough textured finish created by applying a high-temperature flame to the stone, fracturing the crystals on the surface.

Diamond 8

Diamond 8 is a smooth surface with no reflection. It is similar to a polished finish but does not undergo a buffing.

Cost Estimated at \$24,700 per sign