

# EZ ICE

**EZ Express Ice** is a freestanding kiosk that delivers ice through a patented and innovative process directly to the customer. **EZ Express Ice** provides the customer with several options.

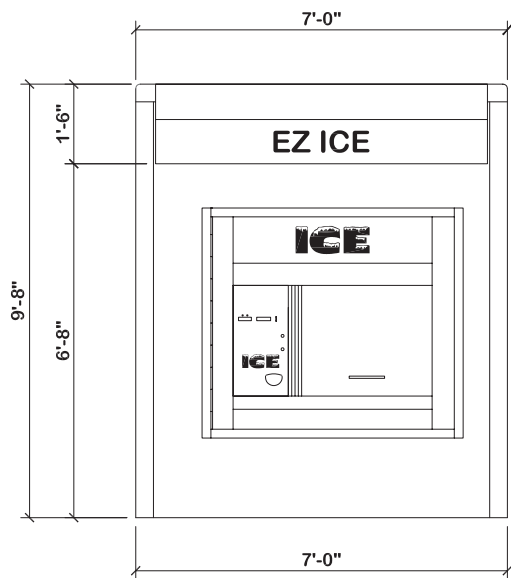
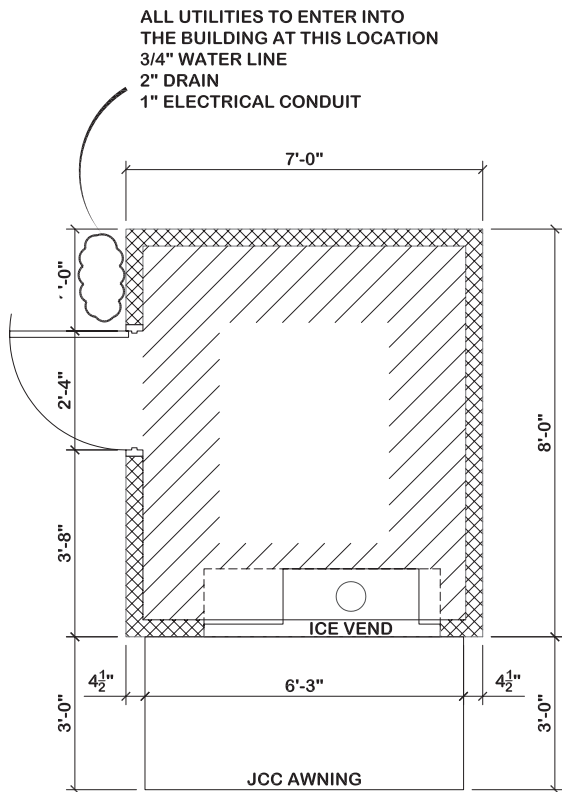
**EZ Express Ice** can be programmed to dispense 10 lb. or a 20 lb. bag of ice. It will also dispense 20 lbs of bulk ice. The machine is adjustable in price in the field. You can monitor the income and functionality of **EZ Express Ice** via the web. You will need to bring in a DSL line into the machine to monitor it via the web.



EZ Ice installed with Optional Custom Graphics Awning



Money Acceptor and Ice Vending



#### Specifications:

- Concrete Board Exterior Walls
- Stainless Steel Corners
- One SS Ice Vending Window
- Adjustable Price
- Low Operating Costs
- First Year Tech Support Included
- Automatic Ice Bag Delivery System
- Digital readout to display message to the customer
- Steel Side Entrance Door to service the Machine
- Mars Bill Acceptor Accepts \$1, 5, 10 & 20
- Electric Coin Acceptor
- Vends 10 lb. Bag of Ice or 20 lb. Bulk ice
- Custom Printed Ice Bags must be ordered with machine. Allow 5-6 weeks for Delivery.
- 1,750 lb. Ice Production/Day Approximately
- 1,900 lb. Ice Storage Tank Approximately
- 2" Drain Line Required
- 3/4" Water Line Required
- 50 amp 220/208 Volt Electrical service required (single phase) Draws 36 amps
- Dimensions 7' Wide x 8' Deep x 9'8" Tall will fit inside high cube container
- Approximate Weight of Machine 6,000 lb
- \* Optional: Custom Graphics Awning

*Specifications Subject to Change*

For more information, Contact:

#### **Etowah Valley Equipment**

Jim Gosnell  
 P.O. Box 1265  
 Etowah, NC 28729  
 888-920-2646  
 etowahvalleyequipment.com