

TECUMSEH THROTTLE AND CARBURETOR LINKAGE

According to Joe at Small-Engines.com, this diagram will work for the following models:

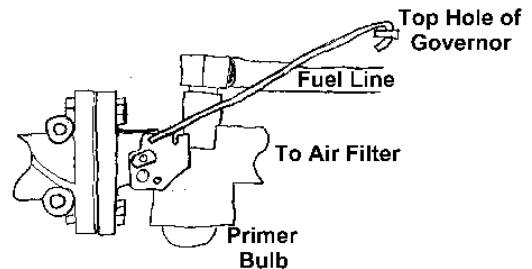
- TVS90
- TVS100
- TVS115
- TVS120
- OVRM



After endless searching for the proper connection of the linkage on my Craftsman mower's engine, I found the answer. I put together the following document with the hopes of helping someone else avoid the nightmare that I encountered. Please forgive my rather crude pencil sketches. I hope you find this useful. Please note that my diagrams and instructions are correct to the best of my knowledge; however, I will not be responsible for any damage to an engine or physical injury. Use this information at your own risk. Always follow standard safety precautions. Thanks, Neil

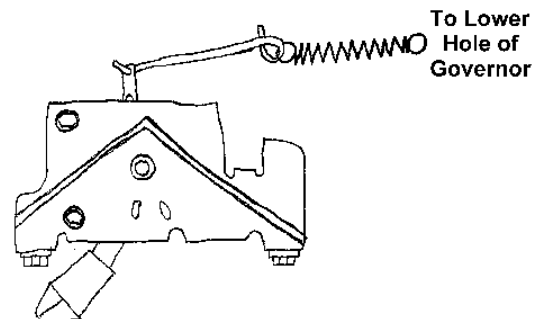
CARBURETOR, TOP VIEW

The wire without the spring has one end connected to the throttle and the other end connected to the top hole of the governor lever. Since this is a top view, you are unable to see the bends in this wire. The belly of the bend will face the carburetor. The long end of the wire (past the belly) goes to the governor lever.



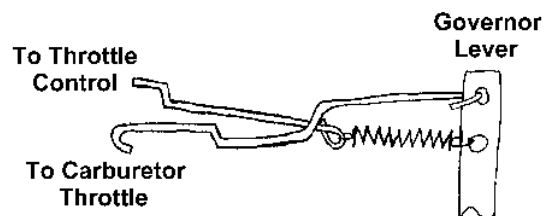
THROTTLE CONTROL, TOP VIEW

The linkage of the throttle control is shown here. The spring connects to the lower hole of the governor lever and lays below the solid wire, shown above, in a cross-over fashion.



LINKAGE AND GOVERNOR, SIDE VIEW

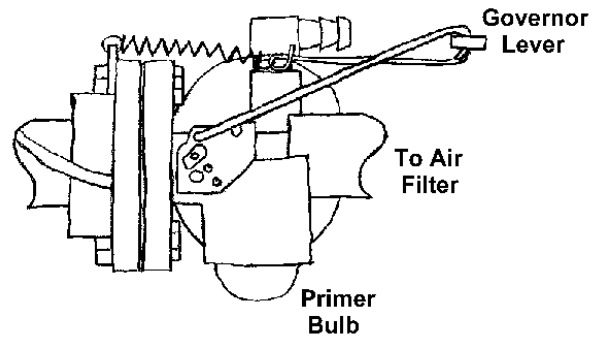
This side view shows the linkage connected to the governor lever. The linkage to the throttle control passes behind the solid wire that goes from the governor to the throttle of the carburetor.



TECUMSEH THROTTLE AND CARBURETOR LINKAGE

FIXED THROTTLE VARIATION

This shows the same style carburetor with a slightly different linkage configuration. There is no throttle control—only a tab that is bolted to the intake manifold, which holds the throttle open. The solid wire still runs from the throttle of the carburetor to the top hole of the governor, as shown in the previous diagrams. In regards to the other pieces, the spring will connect to the hole in the tab and the other end will connect to the lower hole of the governor lever, passing below the solid wire.



PDF Created: 11/20/2005
runcmd@christian.net

*Look unto me, and be ye saved, all the ends of the earth: for I am God, and there is none else.
Isaiah 45:22*