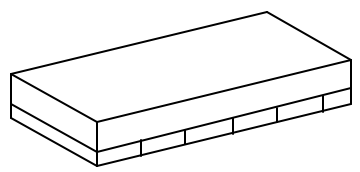
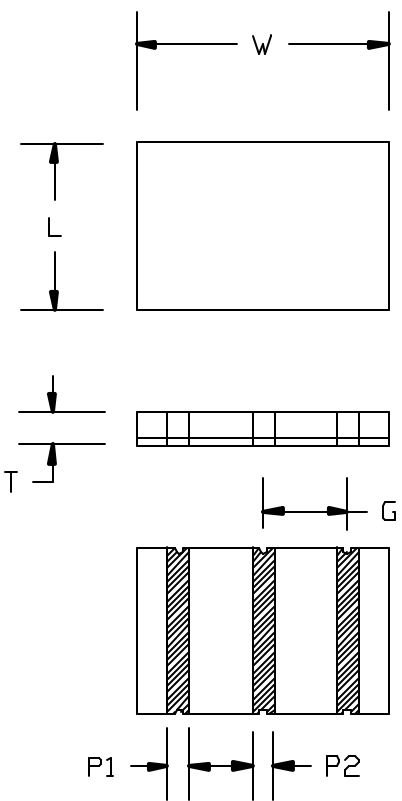
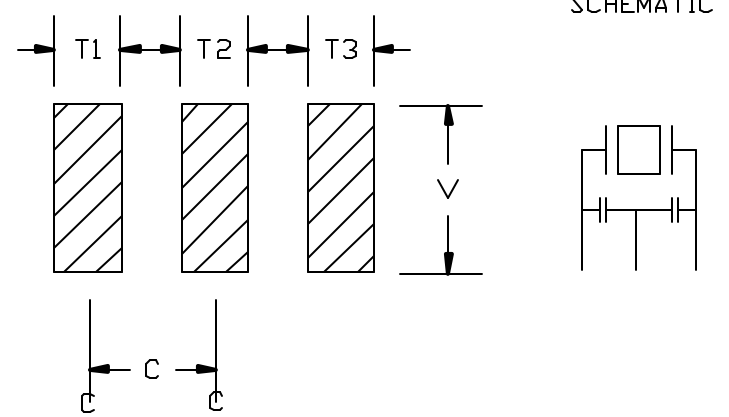


REVISIONS				
ZONE	REV	DESCRIPTION	DATE	APPROVED

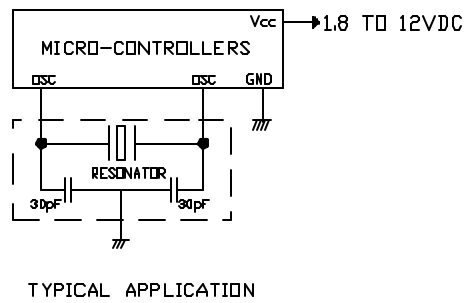
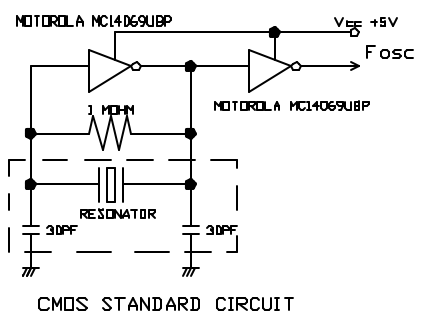


Recommend PCB Layout



NOTES:

1. RESONANT FREQUENCY: 4.00 MHz
2. FREQUENCY TOLERANCE: +/- 0.5% at 25C
3. TEMPERATURE RANGE: -20C to +80C
4. AGING: +/- 0.3% MAX IN 10 YEARS, ROOM TEMP.
5. BUILD-IN LOAD CAPACITORS: TWO 30pF
6. ABSOLUTE IMPEDANCE AT RESONANT: 30 OHMS MAX.
7. MARKING: T4.00M or ZTSC 4.00M or ZTTCC4.00M
8. DIMENSION in mm: W=7.4, L=3.4, T=1.8, C=1.7
P1=P2=1.2, G=2.5, T1=T3=1.7, T2=1.5, C=2.5, V=4



UNLESS OTHERWISE SPECIFIED: DIMENSIONS ARE IN INCHES TOLERANCES DECIMALS ANGULAR XX ± .05 ± 0.5° .XXX ± .010 DO NOT SCALE DRAWING		INTEGRITY TECHNOLOGY			
		CERAMIC RESONATOR			
DRAWN J. YOUNG	DATE 3-01	SIZE A	PBGM NO.	DWG NO. ZTSC 4.0M	REV E
CHECKED		SCALE NONE	ZTSC-4-00M	SHEET 1	OF 1