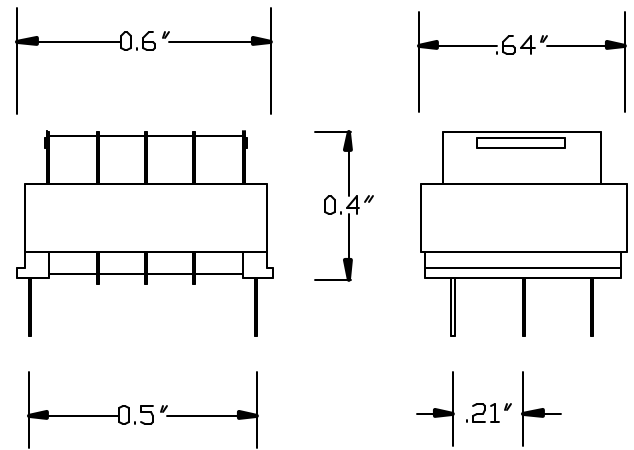
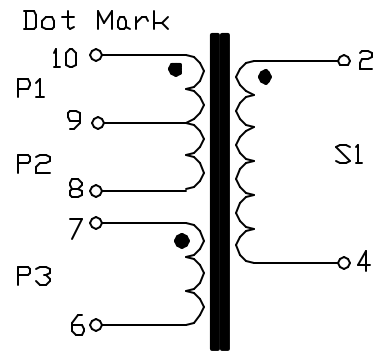
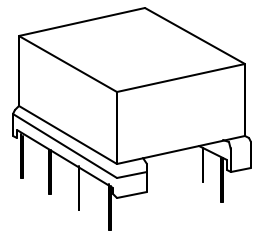
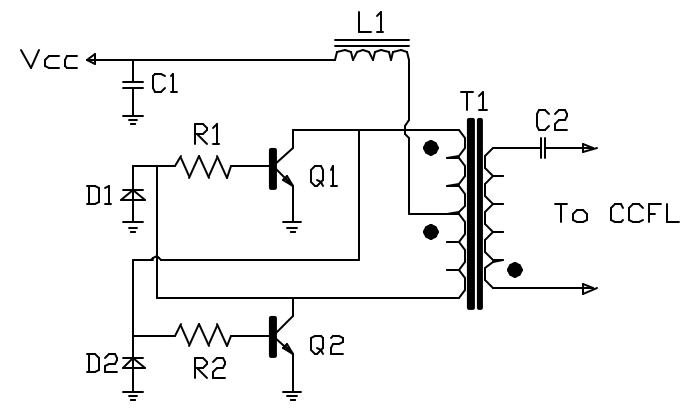


REVISIONS				
ZONE	REV	DESCRIPTION	DATE	APPROVED



NOTES:

1. Turn Ratio: Input:Output is 1.8:1
2. Primary Inductance: P1/P2/P3=33.5,33.5,3.7uH
3. Secondary Inductance: S1=150mH
4. Primary DCR: P1/P2/P3= 0.3,0.3,0.1 Ohm
5. Secondary DCR: S1=120 Ohms
6. Current Rating: Primary 230mA, Secondary 30mA
7. P3 Winding for optional feedback control



BILL OF MATERIALS:

- Q1,Q2 = NPN C2500
- R1,R2 = 8.2KOhms
- D1,D2 = 1N4001 / 4148
- C1 = 10uF, 25V, C2 = 22pF, 2KV
- L1 = 80uH

UNLESS OTHERWISE SPECIFIED: DIMENSIONS ARE IN INCHES TOLERANCES		INTEGRITY TECHNOLOGY			
DECIMALS	ANGULAR				
XXX ± .05	± 0.5	TRANSFORMER		SIZE	REV
XXX ± .010	DO NOT SCALE DRAWING			A	C
DRAWN	J. YOUNG	DATE	7-01	SCALE	NONE
CHECKED		PSCM NO.		DWG NO.	FE16C
DESIGN		SCALE	NONE	XTE-FE16C	SHEET 1 OF 1