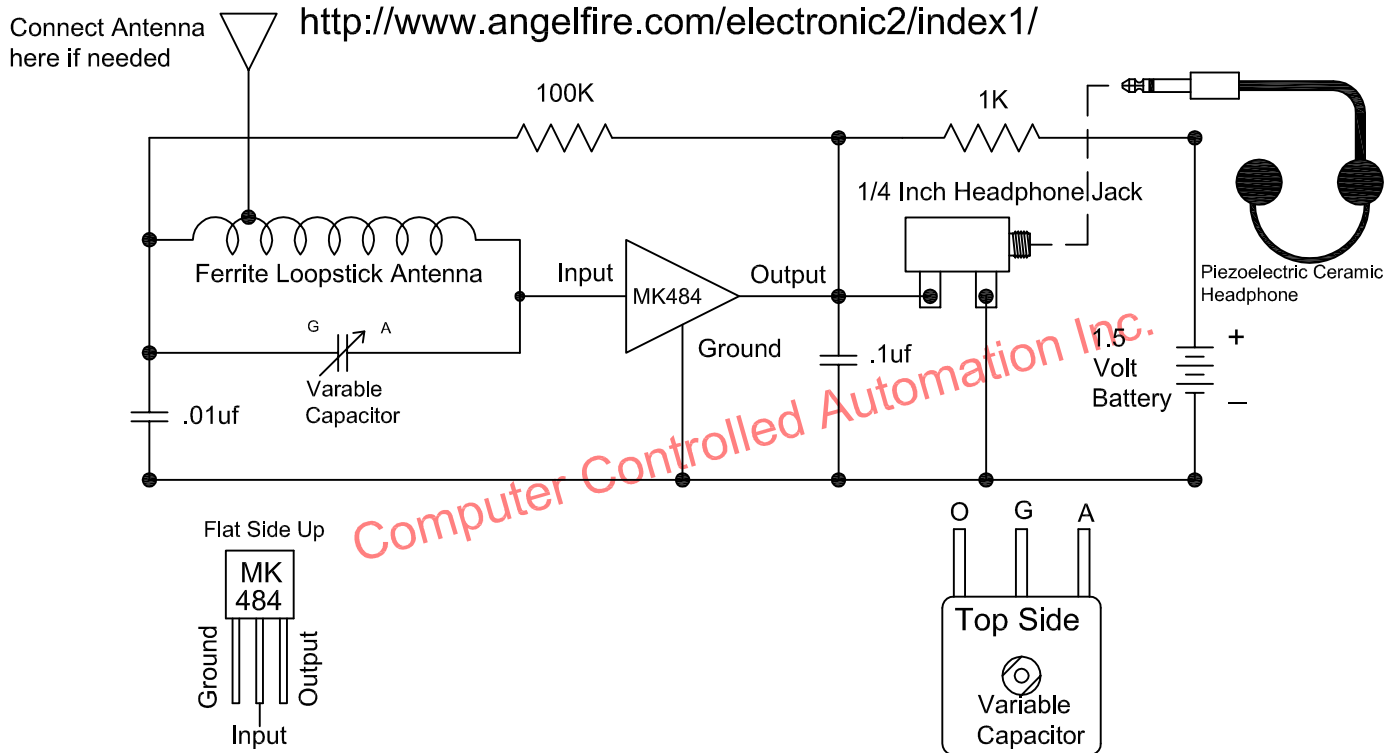


Scotts Electronics

MK484 Basic Simple AM Radio With A High Impedance Ceramic Headphone



This is a simple basic AM radio made from the MK484 IC. The MK484 IC looks like a transistor only three pins and packaged in a TO-92 case. The MK484 contains 10 transistors and has a gain of 72 db. It also has automatic gain control provided by the 100K resistor. The MK484 is made to operate from 1.1 to 1.8 volts over 1.8 volts will destroy the chip and may have a tendency to oscillate at the higher voltages. If the circuit oscillates the 1K resistor can be increased in value. Do not use higher voltages or a resistor of less than 500 ohm doing so will destroy the IC.

The above circuit is for use with my High Impedance Ceramic Headphones they have an Impedance of 20 million Ohms.

The Kit I sell has the following items.

- 1- High Impedance Ceramic Headphone with 1/4 inch plug end
- 1- 1/4 inch phono plug
- 1- MK484 IC
- 1- 100K Resistor Brown Black Yellow Gold
- 1- 1K resistor
- 1- .1uf capacitors marked 104
- 1- .01uf capacitor marked 103
- 1- Plastic Variable Capacitor
- 1- Ferrite Loopstick Antenna Coil
- 1- AA Battery Holder

Computer Controlled Automation Inc.

Drawn By: Scott Lowe

This Is Our Kit Number MK484-6

<http://www.angelfire.com/electronic2/index1/>

Does not include any antenna wire, Ground wire, or batteries. You the get the above parts only.